

Task Light Multi-Angle Shelf Mount Brackets

Product Numbers

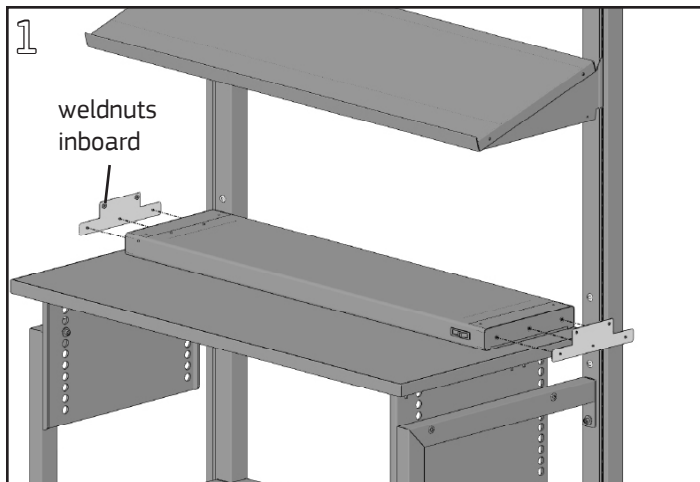
- SMBA

Required Tools

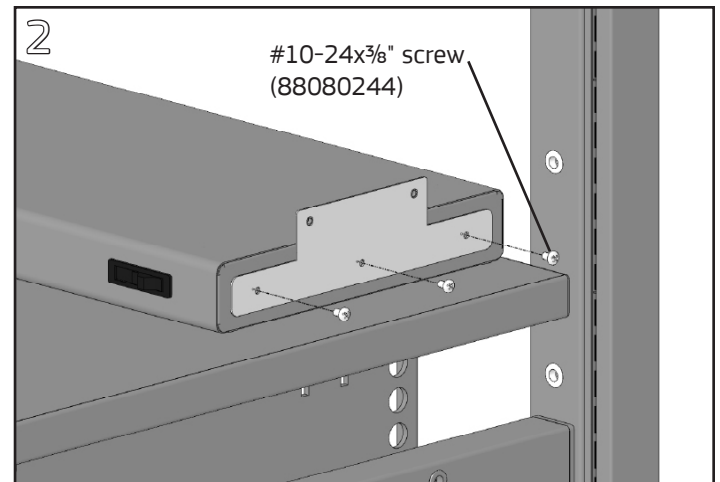
- #2 Phillips screwdriver

Hardware Pack: SMBAHP (p/n 97052001)

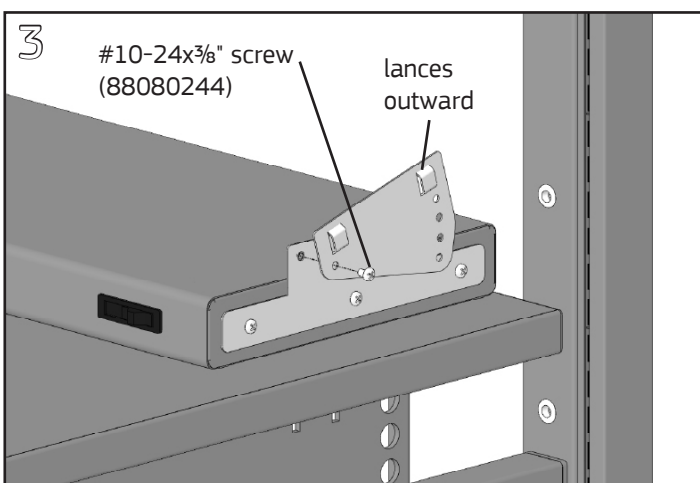
CAUTION: Injury to persons and damages to the light may result if the light is pulled from the mounting surface. Always mount light to a mounting surface that is mechanically sound to reduce likelihood of such injury or damage.



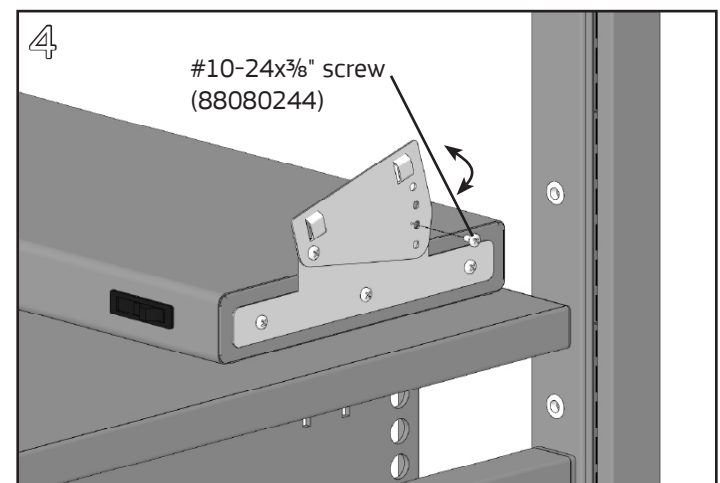
Install lens as required per Task Light instructions. Gently rest the light on a clean, smooth surface in the upright position. The mounting brackets are not handed, but when attached, the weldnuts at the top of the bracket must face inboard of the light.



Align the three holes in the mounting brackets with the holes in the end of the Task Light and secure with three #10-24x $\frac{3}{8}$ " Phillips pan head screws using a #2 Phillips screwdriver. Repeat on opposite end of Task Light.

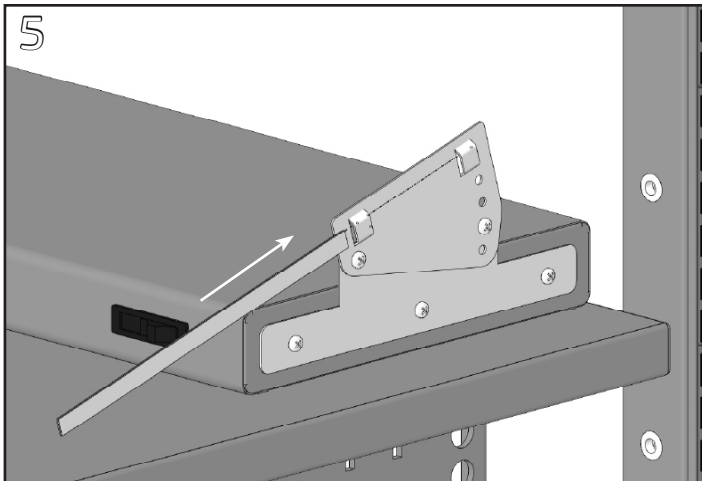


Loosely fasten adjustable bracket to the outside face of the mounting bracket using a #10-24x $\frac{3}{8}$ " Phillips pan head screw in the front hole. The lances on the adjustable bracket must face outward.



Pivot the bracket until the rear hole in the mounting bracket aligns with one of the angle-setting holes in the adjustable bracket. Fasten with an additional #10-24x $\frac{3}{8}$ " Phillips pan head screw and tighten both screws with a #2 Phillips screwdriver. Repeat step 3 and 4 on opposite end of the Task Light.

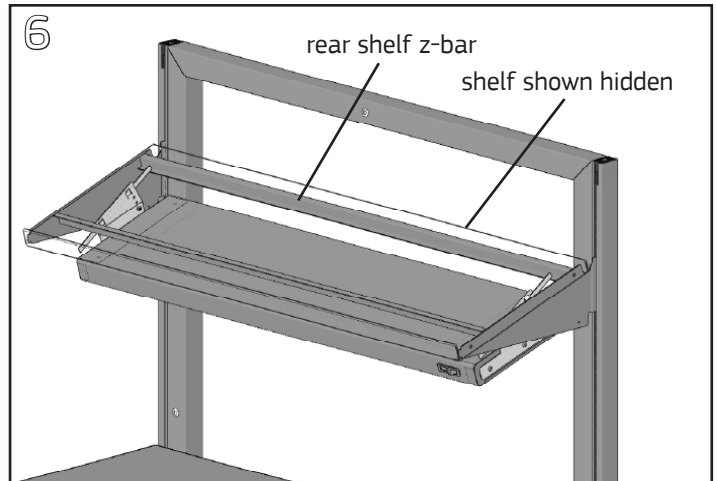
Task Light Multi-Angle Shelf Mount Brackets



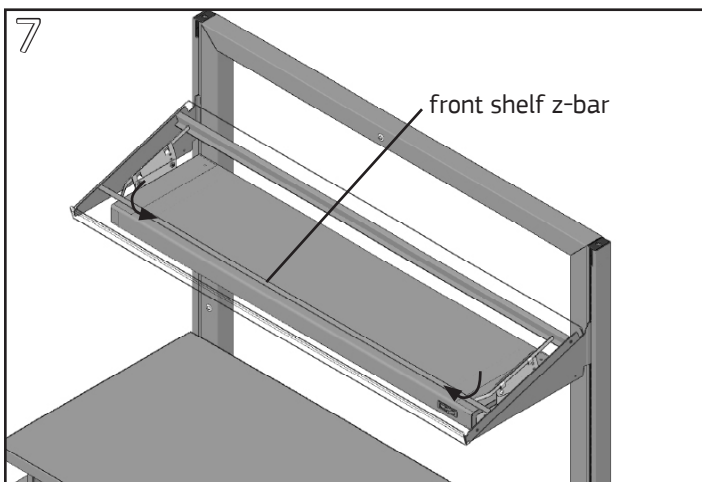
Insert two spring bars per side through the lances in the adjustable brackets. Various spring bar lengths are provided depending on shelf style.

Shelf Style	Spring Bar Length
Center Shelf (CSA)	9 ⁷ / ₁₆ "
Multi-function (MFS)	9 ⁷ / ₁₆ "
General Purpose (GPS)	11 ³ / ₁₆ "
Storage Shelves (SL & SH)	11 ³ / ₁₆ "
Storage Cabinets (SCA)*	13"

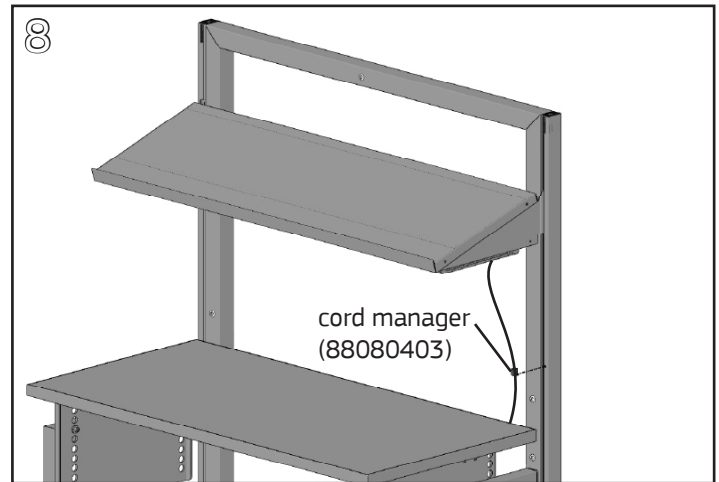
*Spring bars for storage cabinets must be ordered separately; see LSB13.



Under the installed shelf, place the back tips of the spring bars over the rear flange or z bar on the underside of the shelf. Slide the light along the spring bars toward the back of the shelf.



Gently bend the front tops of the spring bars inward and engage them over the front flange on the underside of the shelf. Straighten bars and position the light under the shelf.



Place cord manager around Task Light cord and push into hanger frame slots to manage cord.