

Task Light Lens, Batwing

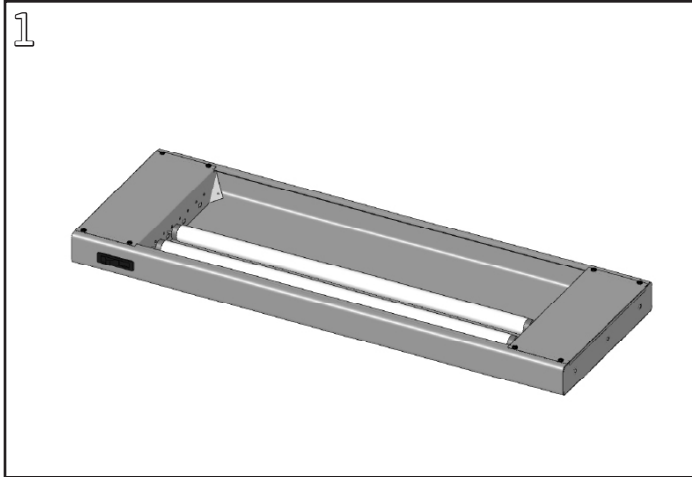
Product Numbers

- L2xxSE

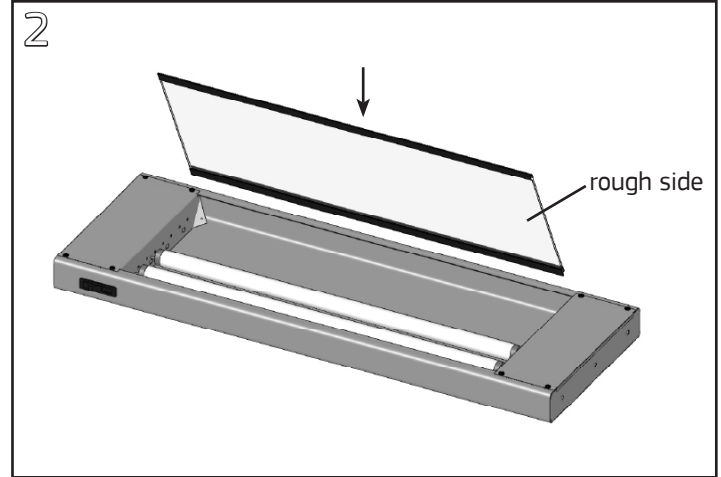
Required Tools

- none

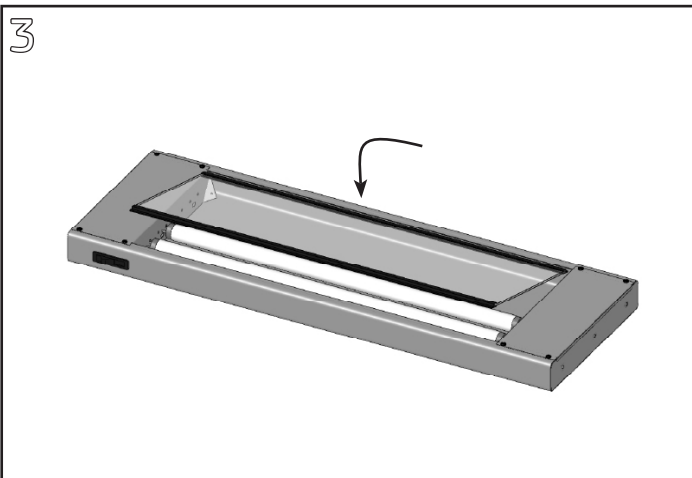
Hardware Pack: TLBHP (p/n 88081606)



Lay the Task Light upside down on a clean, smooth surface.



With the rough side of the lens facing the lamps, insert the rear lens flange under the back lip of the Task Light.



Gently insert the front flange of the lens under the front lip of the light. Install Task Light as required with brackets, ordered separately.