

TASK LIGHT SHELF MOUNT BRACKETS

CAUTION: Injury to persons and damages to the light and/or mounting surface may result if the light is pulled from the surface.

Always mount light only to a surface that is mechanically sound to reduce likelihood of such injury or damage.

The Task Light Shelf Mount Bracket (SMB) allows a light to be suspended beneath any flat shelf. The angled mounting bracket (SMBA) allows the light to be suspended beneath an angled shelf in a flat position.

Installing a SMB

1. Position mounting plates on Task Light ends aligning all holes, making sure the lances on the plates are facing inboard. Fasten with six (6) #10-24 x 3/8" phillips screws provided using a #1 phillips driver. (Figure 1)

Installing a SMBA

2. Position stationary plates on Task Light ends aligning all holes, making sure the lances on the plates are facing outboard and weldnuts are facing inboard. Fasten with six (6) #10-24 x 3/8" phillips screws provided using a #1 phillips driver.

3. Determine angle of shelf and corresponding holes in the adjustable bracket. Fasten to stationary bracket with two (2) #10-24 x 3/8" phillips screws provided per side using a #1 phillips driver. (Figure 2)

Completing Installation

4. Insert two (2) spring bars (88081602 for shelves or 88081602-01 for storage cabinets) per side through lances on mounting plates.

5. Under installed shelf, place back tips of spring bars over rear lip or middle Z bar of shelf. Push Task Light towards back of shelf. Gently bend front tips of spring bars and engage them over shelf's front lip. Straighten bars and position light under shelf. (Figure 3)

6. Route cord down along panel joint and secure to hanger frame with cord managers provided.

11" for General Purpose Shelves
 9 1/2" for Multi-Function Shelves
 LBS - 13" for Storage Cabinets

Task Light Shelf Mt. Brkt Hdw. Pk - SMBHP (#88081607)
 Task Light Shelf Mt. Brkt Angled Hdw. Pk - SMBAHP (#97052001)
 Task Light w/ Parabolic Lens - TLPHP (#92050402)
 Task Light w/ Batwing Lens - TLBHP (#88081606)

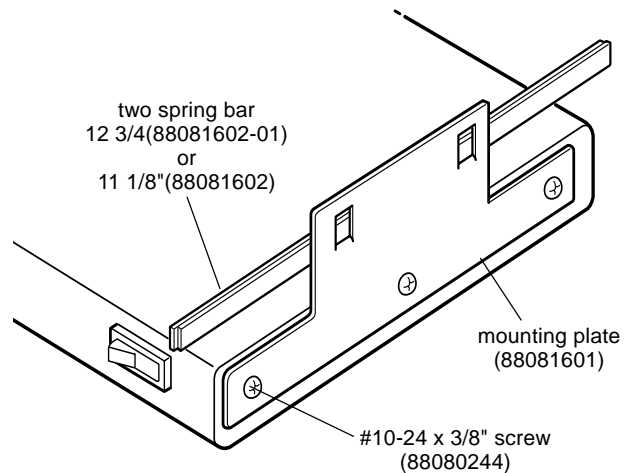


Figure 1

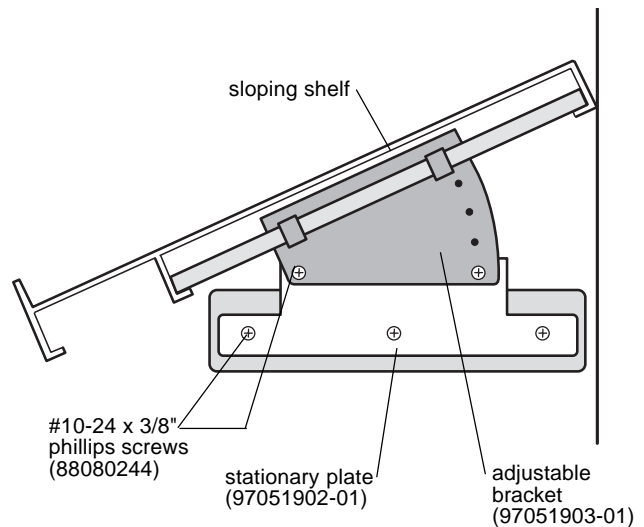


Figure 2

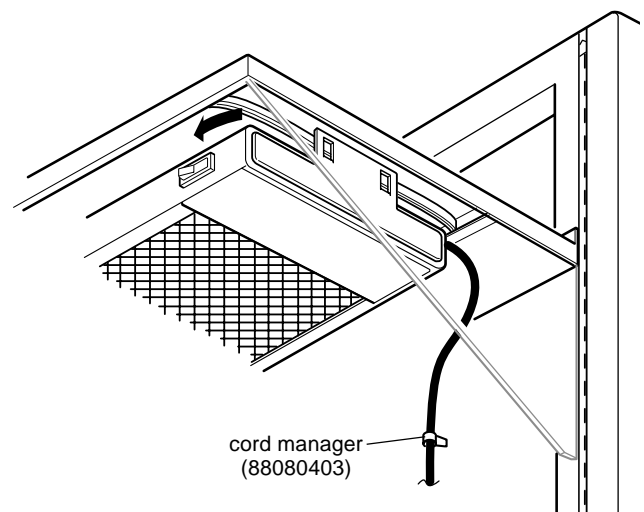


Figure 3