

UTILITY DISTRIBUTOR 8-WIRE 3-CIRCUIT WIRING DIAGRAM

The Utility Distributor power system is an eight wire system consisting of three individual circuits. Each circuit is rated at 20 amps/120 volts maximum. Circuit 1 (black) and circuit 2 (red) are each served by separate neutrals (white) and a shared equipment ground (green). Circuit 3 (blue) uses an isolated neutral (gray) and an isolated ground (green/yellow). The system may be supplied by a three phase power system with three individual circuits rated at 20 amps/120 volts maximum or as permitted by code. (Figure 1)

Warning: *Risk of Fire or Electrical Shock.* As with all non-directional systems, DO NOT electrically connect the Utility Distributor to more than one supply source. Always determine that the Utility Distributor is electrically connected to one and only one source of power. Before using any equipment, check the entire system for polarity, continuity and grounding integrity.

Important: To minimize the effects of EMI (Electromagnetic Interference) the computer circuit 3 (blue) has been shielded from circuit 1 and 2 throughout the entire system. It is critical to maintain shielding when bringing the power from the electrical distribution panel to Symbiote's Utility Distributor. A separate conduit run for the circuit 3 (blue), circuit 3 neutral (gray), circuit 3 isolated ground (green/yellow) is necessary to maintain this separation. (Figure 2)

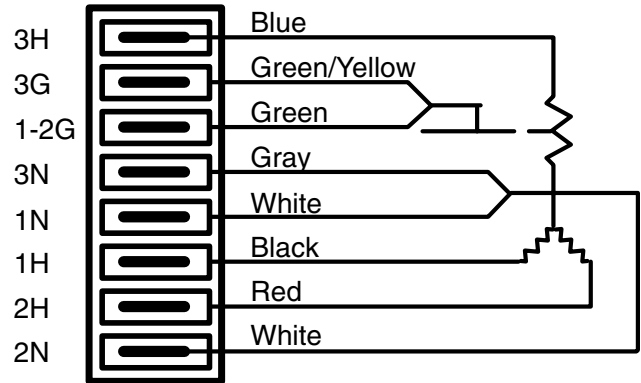


Figure 1

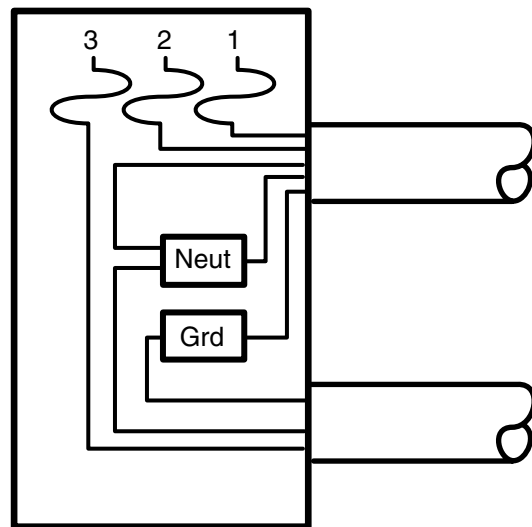


Figure 2