

## TASK DRAWER, SURFACE MOUNT

For ease of installation, attach drawer unit to surface, then install surface. Requires a 5/32" allen wrench to install the screws securing the drawer unit to the surface.

1. Lay surface upside down in flat, clean area. Install six #10-24 x 3/4" truss head screws provided into threaded inserts located on underside of work surface, leaving a 1/8" gap between underside of screw head and surface.
2. Remove first drawer in stack by fully extending drawer. Simultaneously push down on the right-hand slide lever and up on the left-hand slide lever then pull drawer away from case. (Figure 1)
3. Align large end of keyhole slot on drawer case top over screws. Slide case toward edge of surface to engage. Using a 5/32" allen wrench, securely tighten all screws. (Figure 2)
4. Install surface as designated.
5. Reinstall drawer by aligning slides on drawer with those on the case, slide drawer into case.

### Dissipative Finish Task Drawer

A dissipative finish drawer unit comes with an ESD Cable Kit (CKA) used to ground drawer case to the frame. Attach cable kit before installing drawer unit to the surface.

1. Using the 1/4-20 sems screws provided, attach one end of the coiled cord to threaded insert located on the back top side of the case. After installing drawer case to the surface, attach other end of coiled cord to a selected ESD ground path means. (Figure 3)

**Task Drawer Surface Mount Hardware Pack. - TDSHP (#89092702).**

**Task Drawer Add-on Hardware Pack - TDAH (#96092603)**

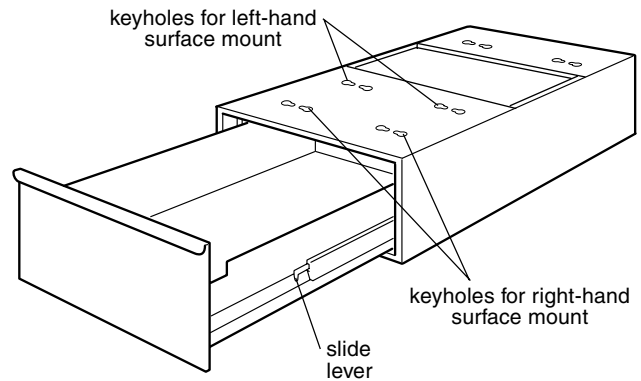


Figure 1

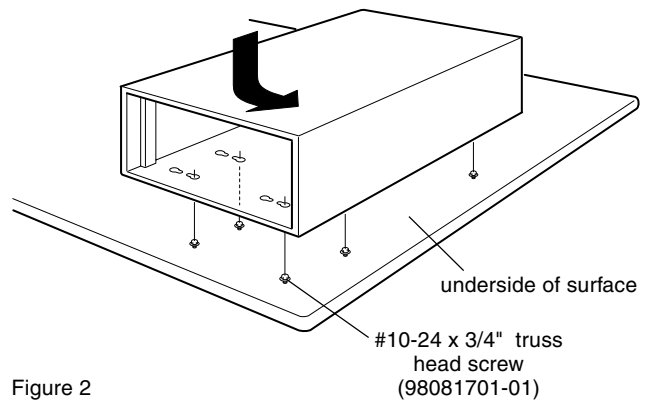


Figure 2

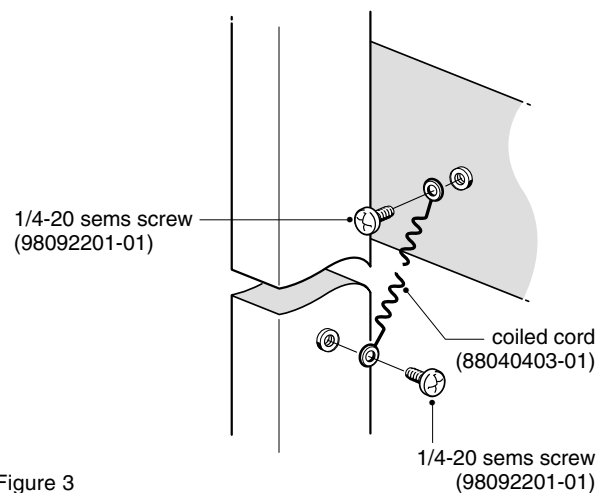


Figure 3