

## TABLE BASE HEIGHT ADJUSTABLE

The Table Base is shipped fully assembled.

### To attach surface

**1.** Position surface over the base aligning the work top bracket holes with the appropriate holes in surface bottom. Attach with six (6) #10-12 x 1" pan head screw provided. (Figure 1)

### To attach Electrical Control Box

**2.** On underside of surface determine desired location of control box. Attach to underside of surface using two (2) #10-12 x 1" pan head screws provided. (Figure 1)

### To adjust Postionable Height Table

**3.** Remove two (2) 5/16-18 x 3/4" button head screws located at top of leg extrusions. Lift top to desire height (1" increments) aligning holes in outer and inner extrusions. Reinstall the two (2) screws. Securely tighten. (Figure 2)

ErgoStat/Table Base Hardware Pack - ESTBHP (#93082503)

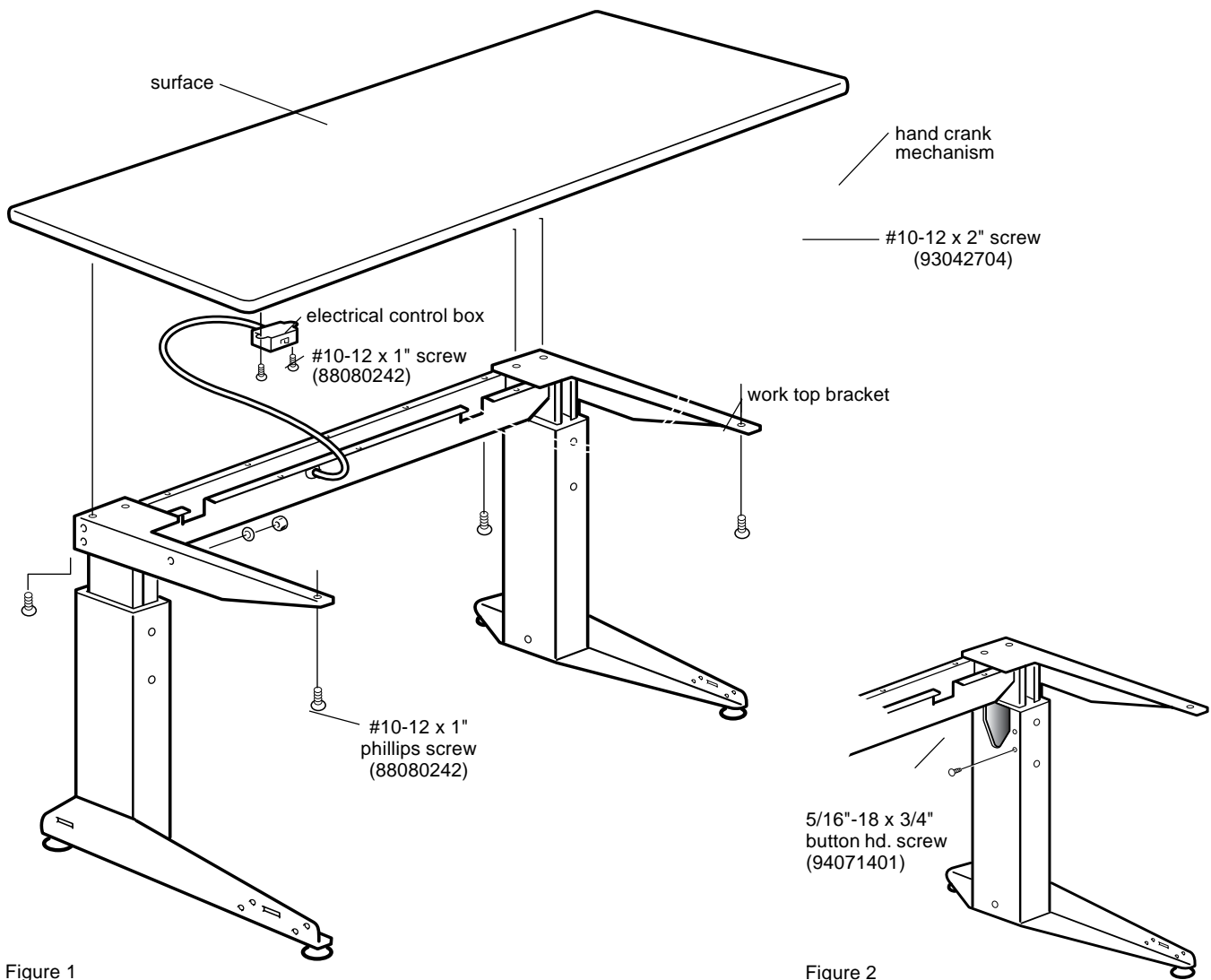


Figure 1

Figure 2