

Multi-Function Shelves

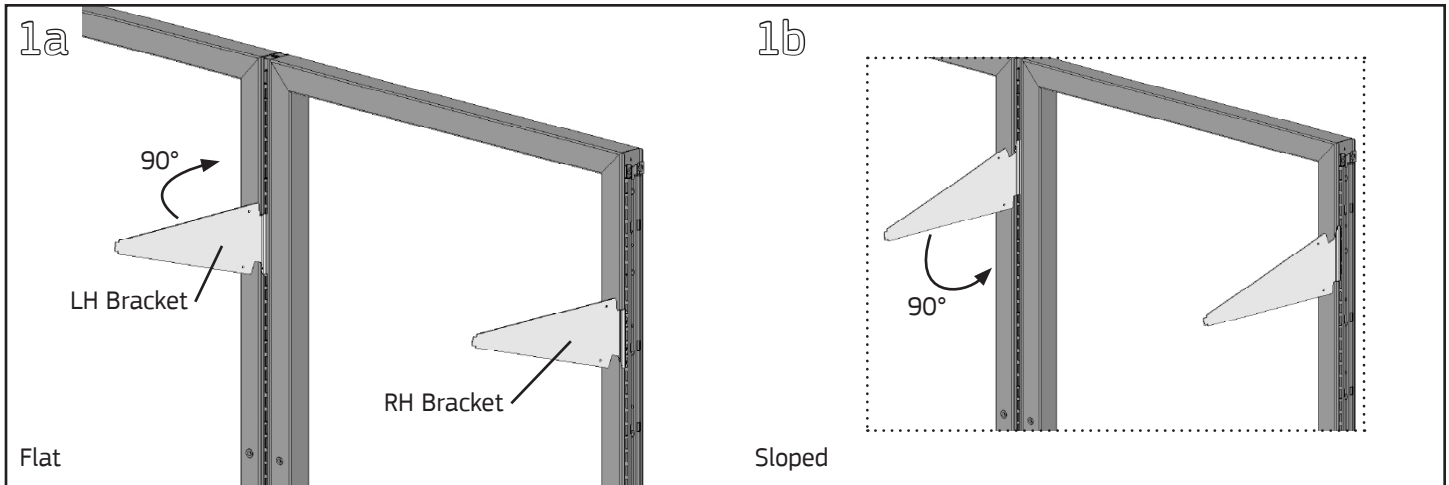
Product Numbers

- MFSxx

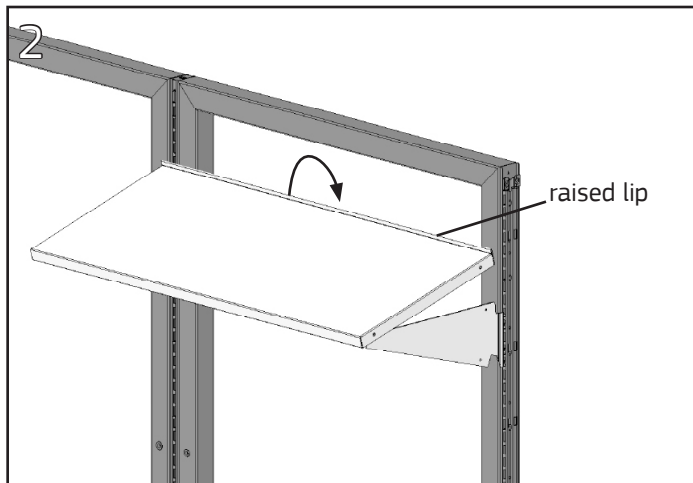
Required Tools

- Tape Measure

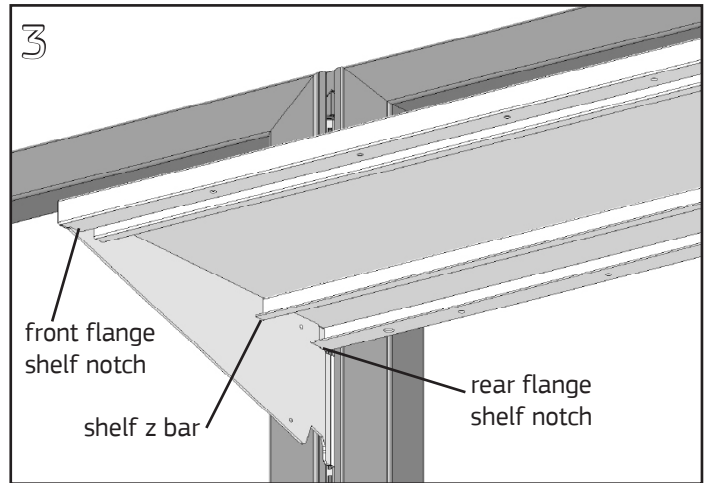
Hardware Pack: none



Engage the brackets in the left and right sides of the frame or frame span as shown above for either a flat or sloped mounting configuration. Ensure the brackets are firmly seated in the hanger frame slots and use a tape measure to verify both the right and left-hand brackets are at the same height.



For a flat shelf, position the raised lip of the shelf at the back. For a sloped shelf, position the lip at the front. Align the front tips of the shelf brackets with the inside faces of the shelf sides. Rotate the shelf back until it drops over the back of the shelf brackets.



On the underside of the shelf, ensure that both right and left brackets are engaged in the notches of the shelf flanges and between the shelf z bars.