

## CORNER ULTRA SURFACE

The Corner Surface requires a left and right-handed Cantilever or B Support, which are ordered separately. A corner support for the back of the surface is included with the Corner Surface.

1. Engage right-hand Cantilever or B Support in right frame at designated height. Push support down to securely seat in frame. Repeat procedure with left-hand support in left frame and the corner bracket in the corner. (Figure 1)
2. Remove the #10-12 x 1 1/4" Phillips screw and button from the right-hand side of the surface. (Figure 1)
3. Align the button on the left side of the surface with the large end of the teardrop slot on the support. Slide surface back to engage. Drop the pins in both the left and right-hand sides of the surface into the large round holes near the front of the brackets. (Figure 1)
4. Reinstall the #10-12 x 1 1/4" Phillips screw and button through the support and into the surface on the right-hand side. (Figure 1)
5. For Cantilever Supports only, level the surface by adjusting the 1/4-20 x 1/2" Phillips screw that is installed near the front of each Cantilever Support. (Figure 2)
6. At the front of each support, install a #10-12 x 1" Phillips screw through the support and into the surface to anchor the surface. (Figure 2)
7. Install two #10-12 x 1" Phillips screws into the underside of the corner support to fasten it to the surface. (Figure 3)

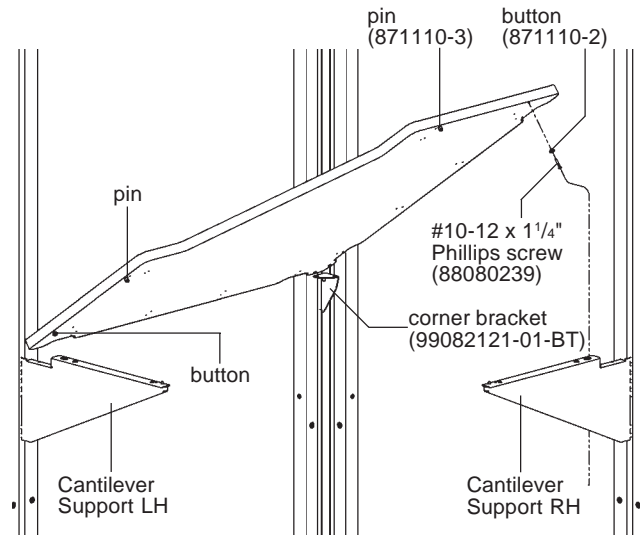


Figure 1

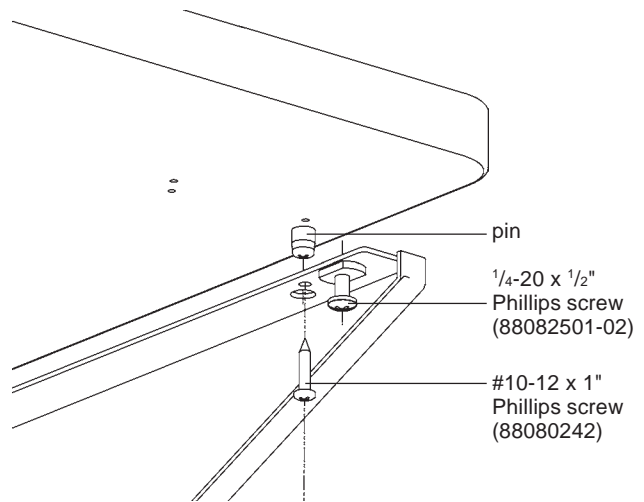


Figure 2

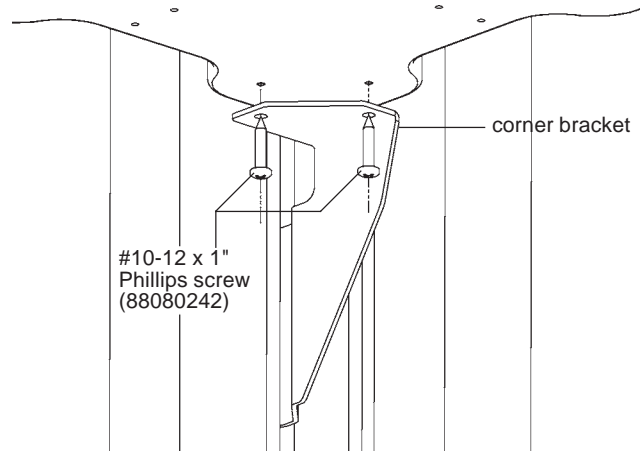


Figure 3

Corner Surface Hardware Pack - UCHP (#02111302-01)