

Slatwall Rail

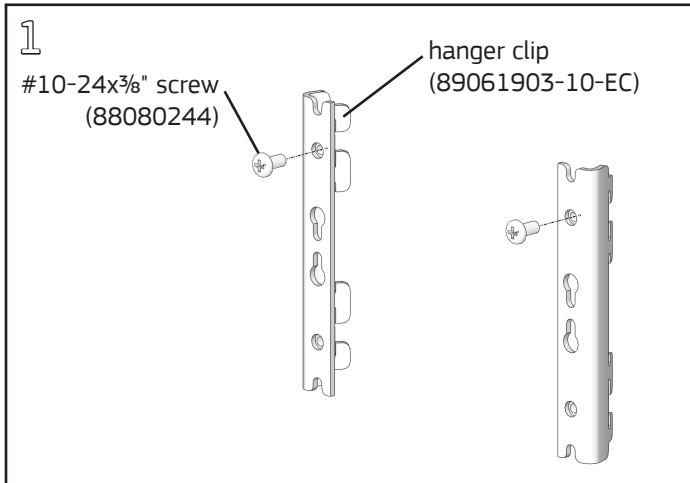
Product Numbers

- SRUxx

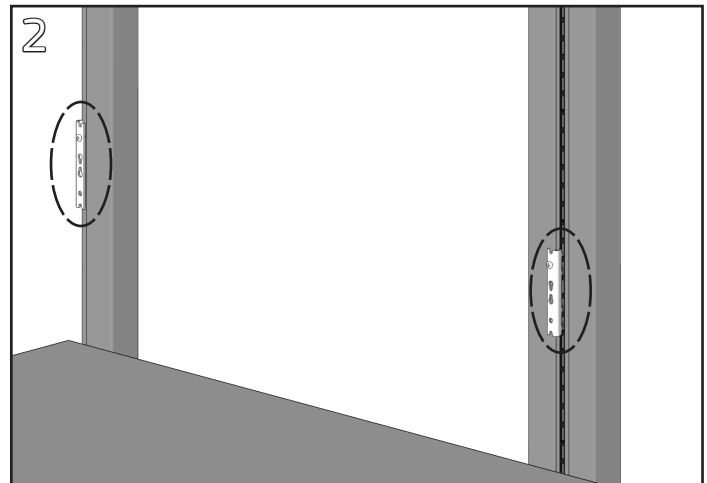
Hardware Pack: SRUHP (p/n 04113019)

Required Tools

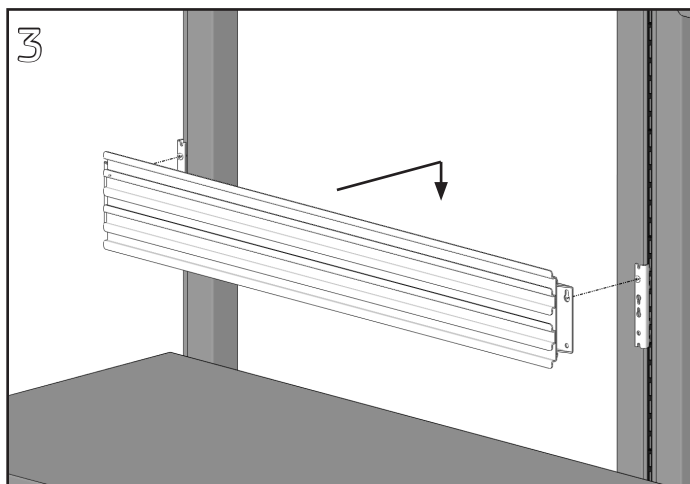
- #2 Phillips Screwdriver



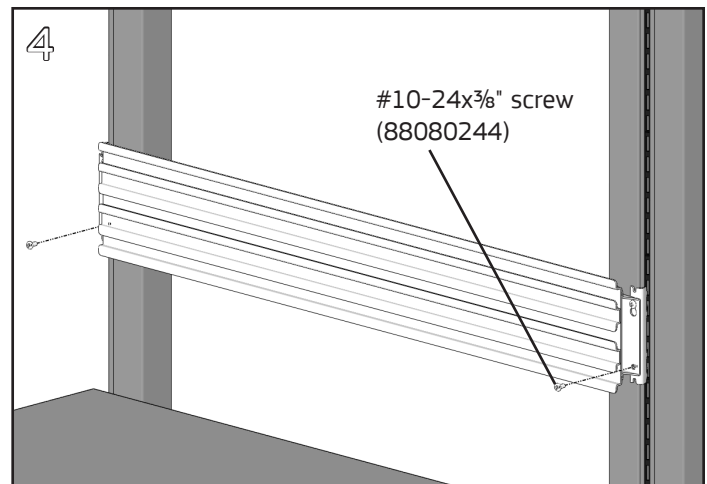
Install a #10-24x $\frac{3}{8}$ " Phillips pan head screw into the top of each hanger clip. Leave a $\frac{1}{8}$ " gap between the screw and clip.



Install a hanger clip on the left and right side of the frame or panel with the screws at the top of each clip. Ensure the clips are at the same height and firmly seated in the hanger frame slots.



Align the bottom of the keyslots in the slatwall rail with the heads of the #10-24 screws in the hanger clips. Slide the rail down over the screws to engage.



Install an additional #10-24 screw into the bottom hole of each hanger clip. Fully tighten all four hanger clip screws with a #2 Phillips screwdriver.