

Bin Rail

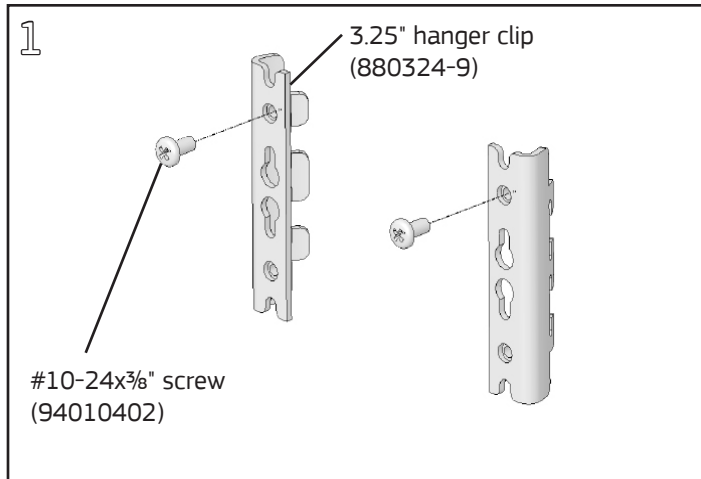
Product Numbers

- BR24 thru BR72

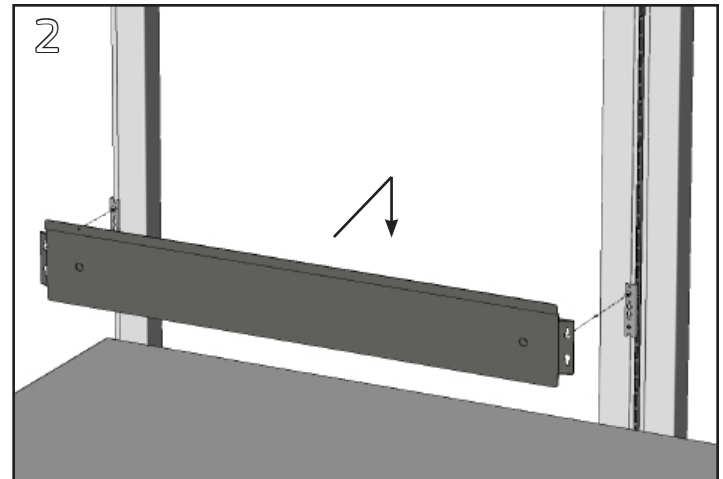
Required Tools

- #2 Phillips Screwdriver

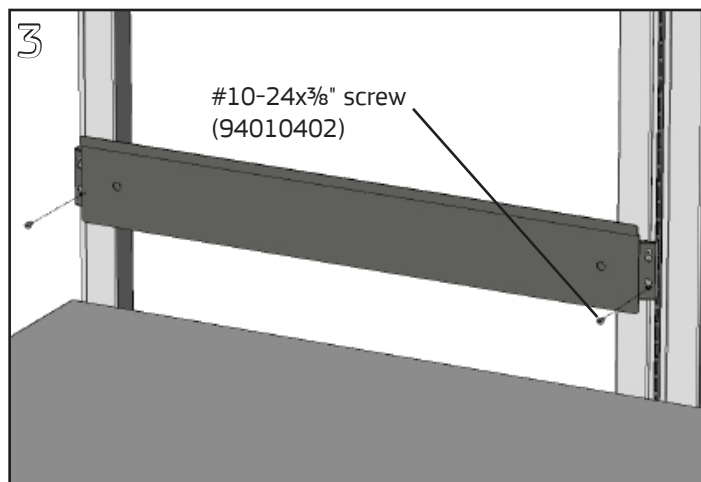
Hardware Pack: HCP3 (88081901), dissipative finish also requires a CKA (88081605)



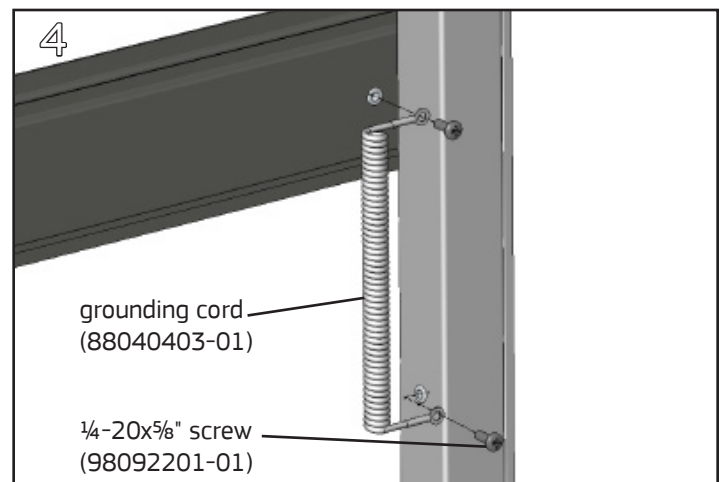
Install a #10-24x $\frac{3}{8}$ " Phillips panhead screw into the top of each hanger clip. Leave a $\frac{1}{8}$ " gap between the screw and clip.



Install a hanger clip on the left and right side of the frame or panel with the screws at the top of each clip. Align the bottom of the keyslots in the bin rail with the heads of the #10-24 screws in the hanger clips. Slide the rail down over the screws to engage.



Install an additional #10-24x $\frac{3}{8}$ " Phillips panhead screw into the bottom keyslot hole of each hanger clip. Fully tighten all four hanger clips screws with a #2 Phillips screwdriver.



DISSIPATIVE FINISH ONLY - Attach one end of the grounding cord to the threaded insert in the back of the rail with a $\frac{1}{4}$ -20x $\frac{5}{8}$ " screw. Attach the other end of the cord to one of the frame's threaded grounding locations with an additional screw.