

Vertical Utility Chase Extender Divider

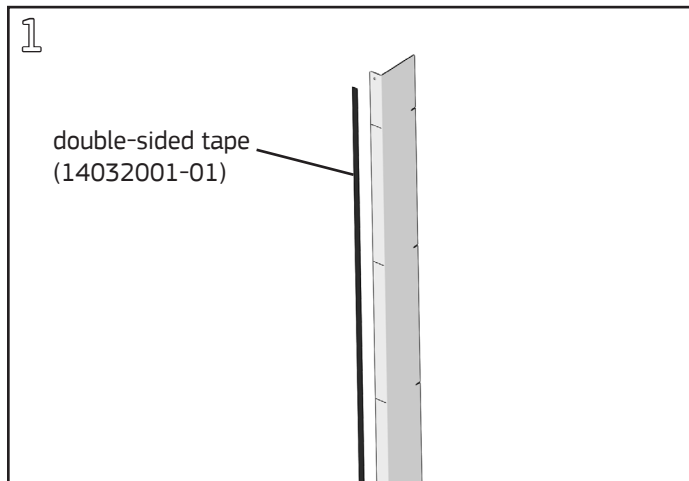
Product Numbers

- VUCED46

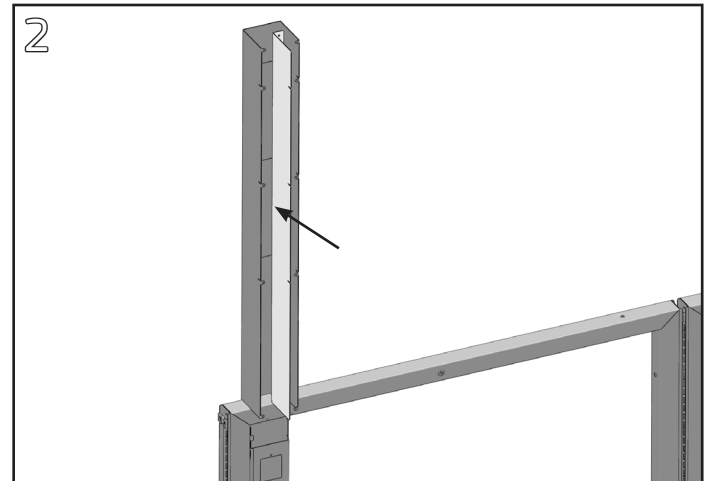
Hardware Pack: VUCDEHP (p/n 18011212-02)

Required Tools

- none



Apply the double-sided tape to the back flange of the divider.



Before installing covers on the Vertical Utility Chase Extender, align the bottom of the divider with the bottom of the housing and adhere the divider to the back of the housing channel at the desired location.