

Vertical Utility Chase Extender

Product Numbers

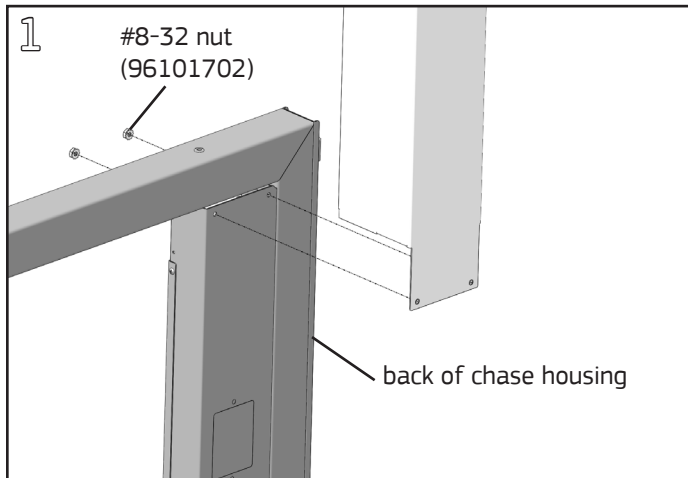
- VUCE46

Hardware Pack: VUCEHP (p/n 18011211-01)

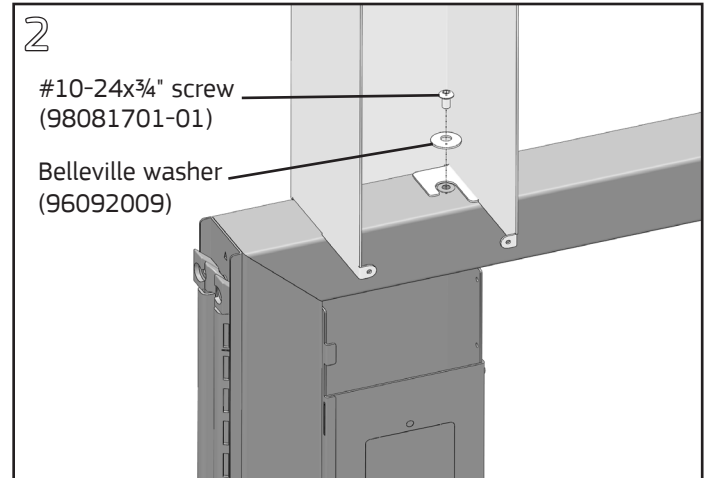
Required Tools

- #2 Phillips Screwdriver
- $\frac{5}{32}$ " Allen Wrench
- $\frac{3}{8}$ " Nutdriver

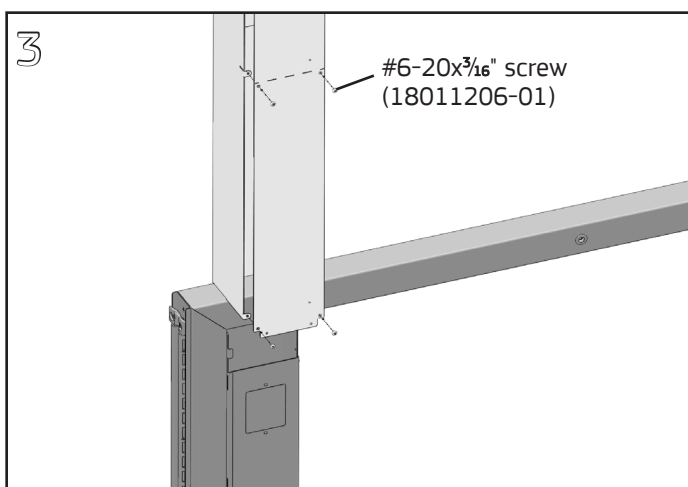
NOTE: Complete steps 1 thru 4 for installation of the Vertical Utility Chase Housing before proceeding. If required, the extender housing and cover should be cut to meet ceiling height before installing.



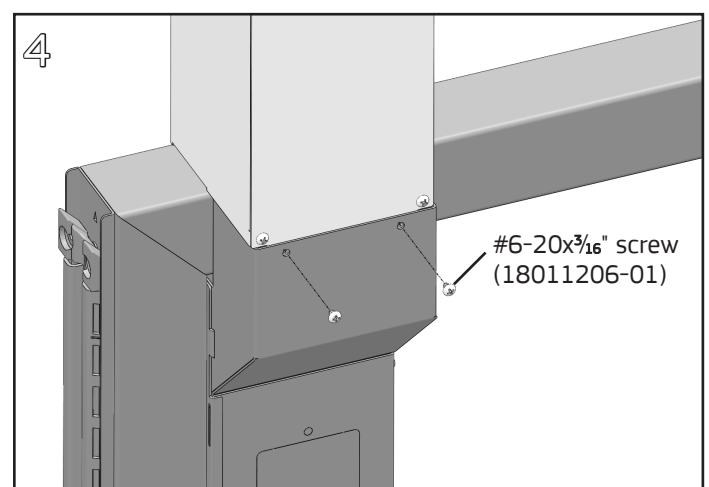
Align the threaded studs in the bottom of the Vertical Utility Extender channel with the knockout clearance holes in the back of the Vertical Utility Chase Housing. Fasten with (2) #8-32 lock nuts using a $\frac{3}{8}$ " nutdriver.



Secure the bottom flange of the extender channel to the frame by installing a #10-24x $\frac{3}{4}$ " socket truss head screw and Belleville washer in the threaded insert on the top of the frame using a $\frac{5}{32}$ " Allen wrench. If installing on a 30" wide frame, there will be two threaded insert locations instead of one.

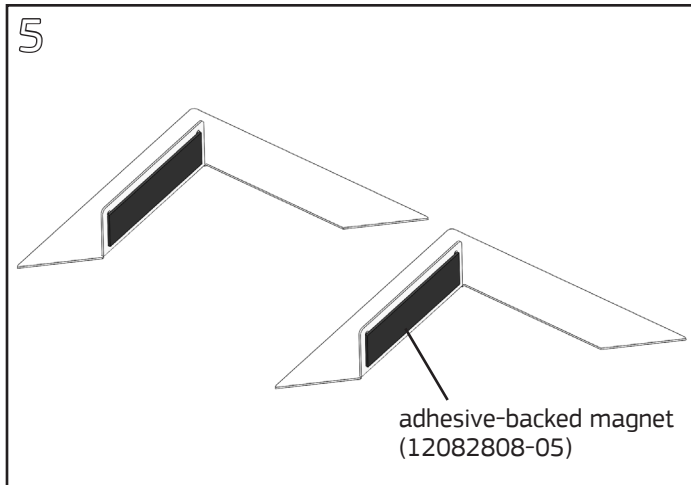


Route utilities through extender. Attach extender cover using #6-20x $\frac{3}{16}$ " Phillips pan head screws using a #2 Phillips screwdriver.

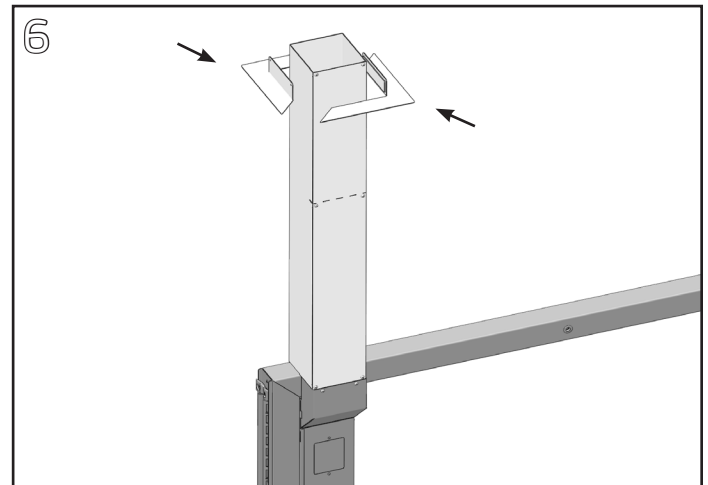


Install router cover per step 5 of the Vertical Utility Chase Housing instructions. Then secure extender cover to router cover with (2) #6-20x $\frac{3}{16}$ " Phillips pan head screws.

Vertical Utility Chase Extender



Apply adhesive-backed magnets to the ceiling trim plates as shown.



Attach Vertical Utility Chase Extender to ceiling structure (hardware not provided). Place ceiling trim on chase extender and align with finished ceiling.