

Multi-Function Shelf Add-on Lip

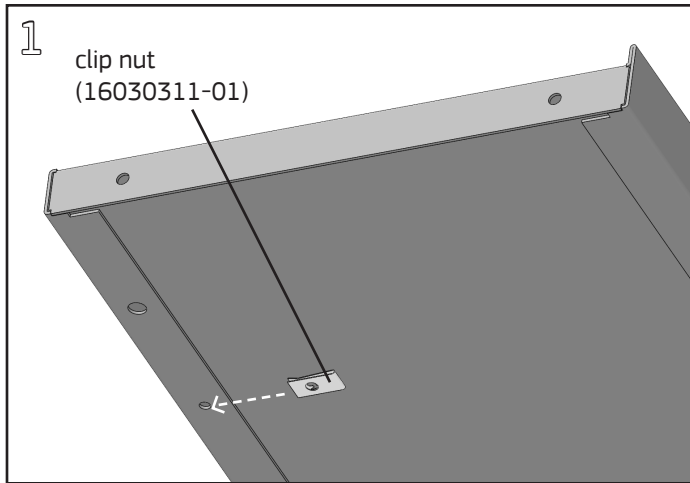
Product Numbers

- MFSLxx

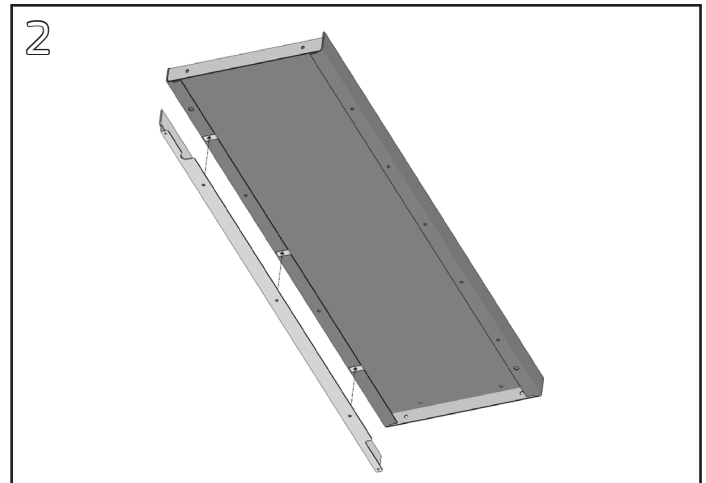
Hardware Pack: MFSLHP (p/n 16111701-06)

Required Tools

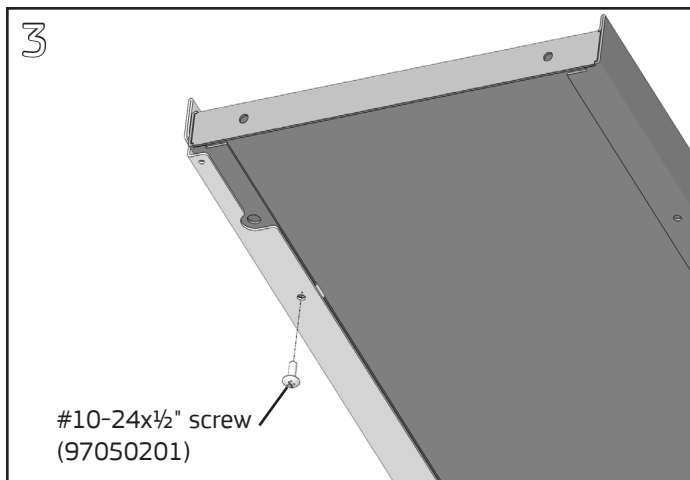
- #2 Phillips Screwdriver



If shelf is already installed, remove from brackets. On the non-lip side of the shelf, slide clip nuts onto the bottom flange. Align nut center with the hole center on the bottom flange approximately 6" from each end and at all other locations that align with the holes in the bottom flange of the lip.



Align the holes in the bottom flange of the lip with the clip nuts.



Fasten lip to the shelf with a #10-24x $\frac{1}{2}$ " Phillips truss head screw at each hole location using a #2 Phillips screwdriver. Reinstall shelf on brackets with add-on lip at rear.