

MFS Corner Support Bracket, 24" Deep

Product Numbers

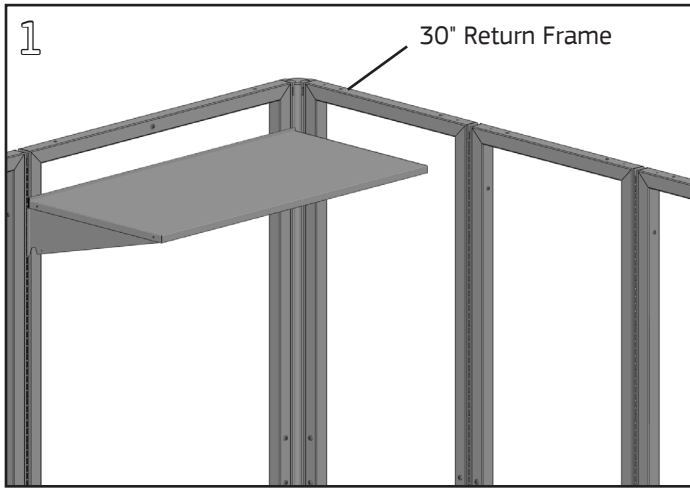
- MFCBL2406
- MFCBR2406

Required Tools

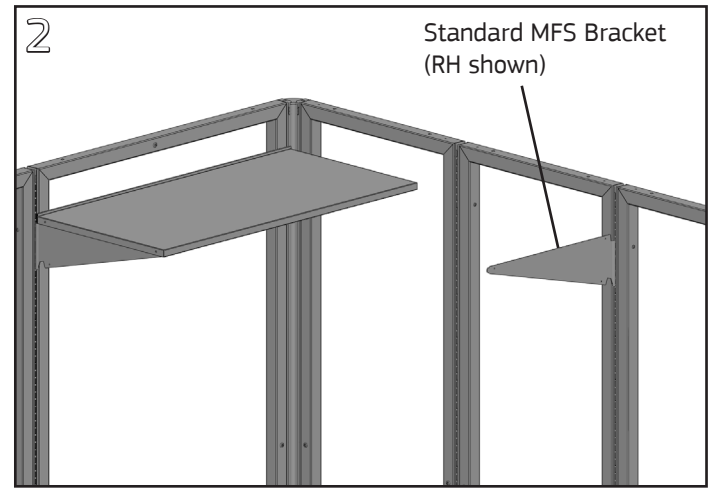
none

Hardware Pack: none

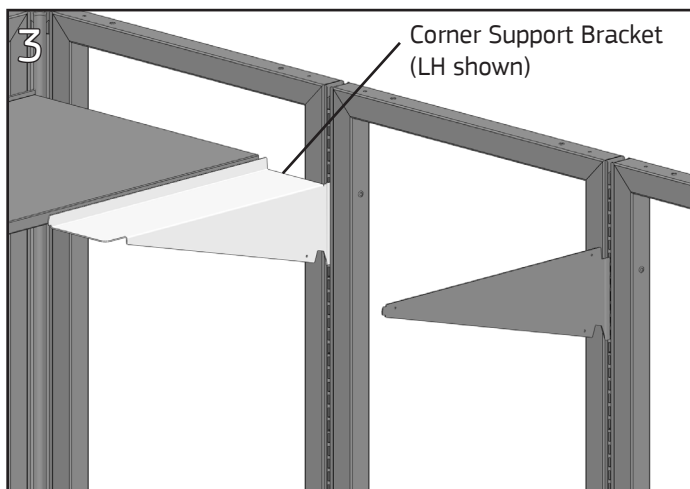
Note: This product is designed to be used with two standard 24" deep Multi-function shelves, to be ordered separately, and is intended for use in a corner with a 30" wide return frame.



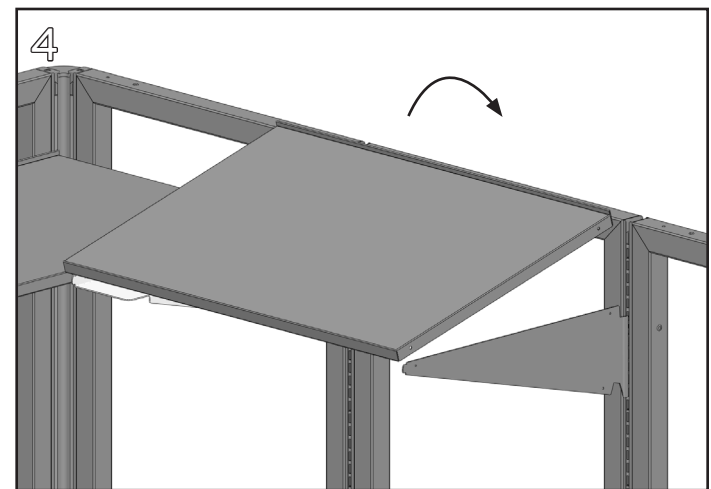
Install a Multi-function Shelf per standard installation instructions on the frame perpendicular to the 30" return frame.



Install the standard Multi-function Shelf Bracket (included with MFS24xx) at the same height as the first shelf on the frame connected to the 30" return frame. The opposite hand shelf bracket included with MFS24xx will not be needed.



Install the corner support bracket on opposite side of the frame, aligning the bottom of this bracket with the bottom of the standard bracket.



Align the front tips of the standard shelf bracket and corner support bracket with the inside faces of the shelf sides. Rotate the shelf back until it drops over the back of the brackets.