

## Bookend Shelves

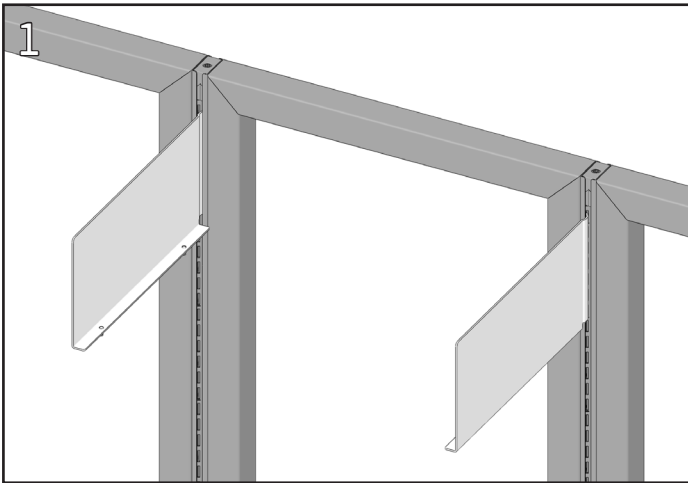
### Product Numbers

- BES11xx
- BES15xx
- BES18xx

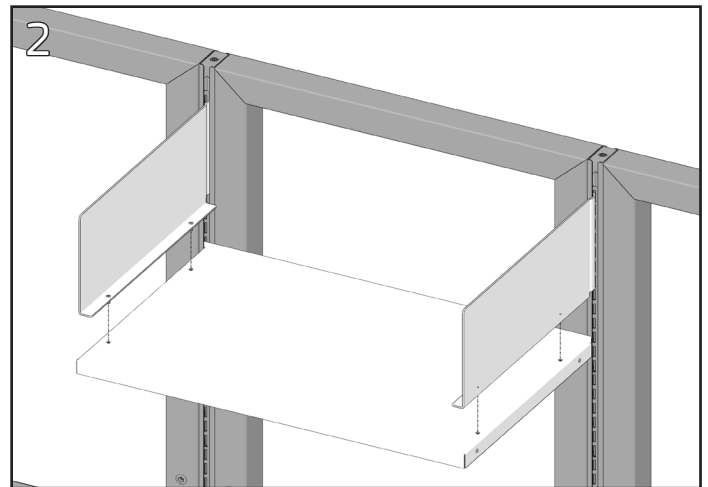
Hardware Pack: BESHP (p/n 16092006-01)

### Required Tools

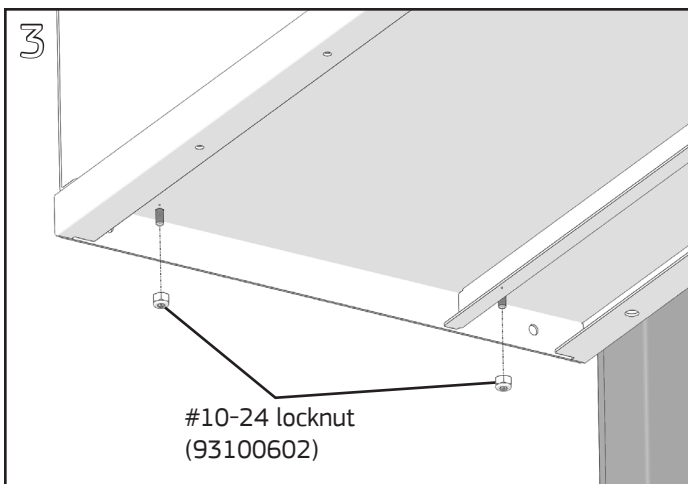
- Tape Measure
- $\frac{3}{8}$ " Socket with Torque Driver



Engage the brackets in the left and right sides of the frame or frame span. Ensure the brackets are firmly seated in the hanger frame slots and use a **tape measure** to verify both the right- and left-hand brackets are at the same height.



Align the holes in the top of the shelf with the threaded studs in the bottom of the brackets. The shelf lip can be oriented either towards the front or the back.



Hold the brackets down to prevent disengagement and fasten each end of the shelf with (2) #10-24 locknuts. Apply a torque of 20 in-lbs. to each nut with a  $\frac{3}{8}$ " socket and torque driver.