

ErgoStat® Pro

WORKSURFACES

Corner Surface

PRODUCT NUMBERS

PSCCSxxyy, PSCLSxxyy, PSCDSxxyy

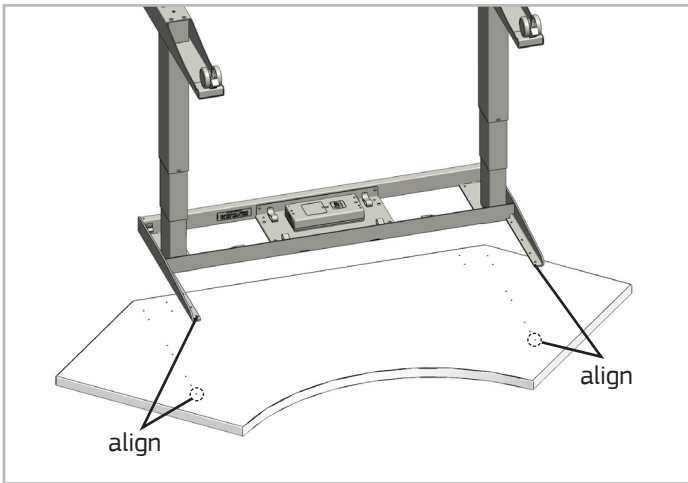
HARDWARE PACK

None

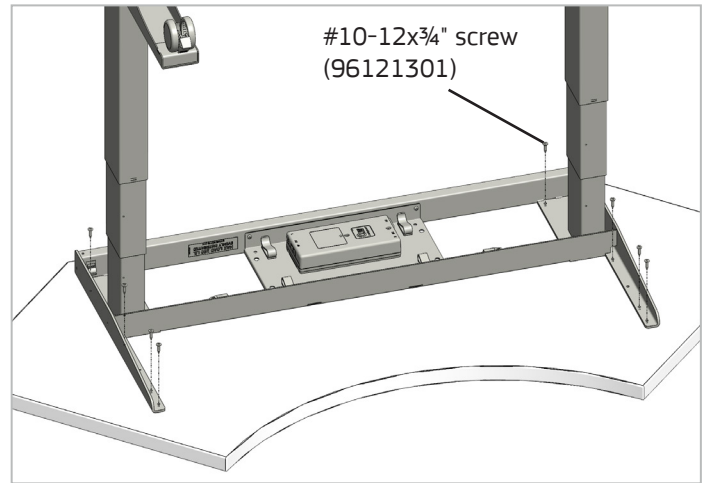
REQUIRED TOOLS

#2 Phillips Screwdriver, Cordless Drill/Driver

No Riser Frame

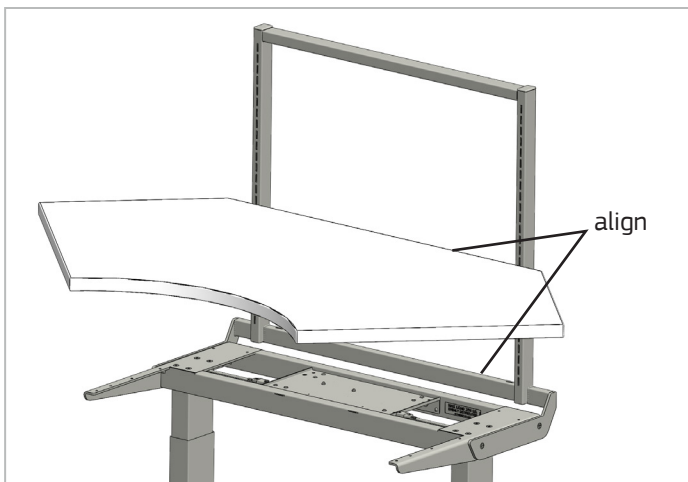


1. Flip the top upside down. Center the base over the width of the top, aligning the front pilot holes with the holes in the front of the top supports.

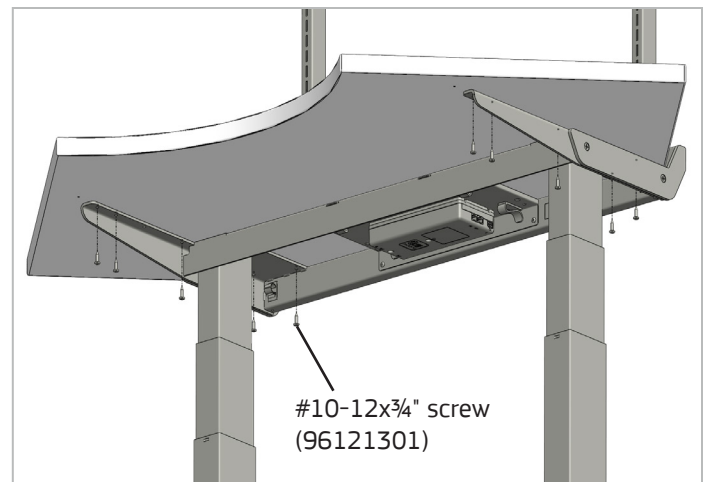


2. Attach the top to the base with (5) #10-12x $\frac{3}{4}$ " Phillips pan head screws per side. Secure the hand control with (2) #8-12x $\frac{1}{2}$ " Phillips pan head screws.

With Riser Frame



1. Attach Riser Frame to the base per instructions. Position the top on the base centered left to right with the back of the top aligned with the back of the stretcher.



2. Attach the top to the base with (5) #10-12x $\frac{3}{4}$ " Phillips pan head screws per side. Secure the hand control with (2) #8-12x $\frac{1}{2}$ " Phillips pan head screws.