

# ErgoStat® Pro

## COMPUTER ACCESSORIES

### Slatwall/Bin Rail

#### PRODUCT NUMBERS

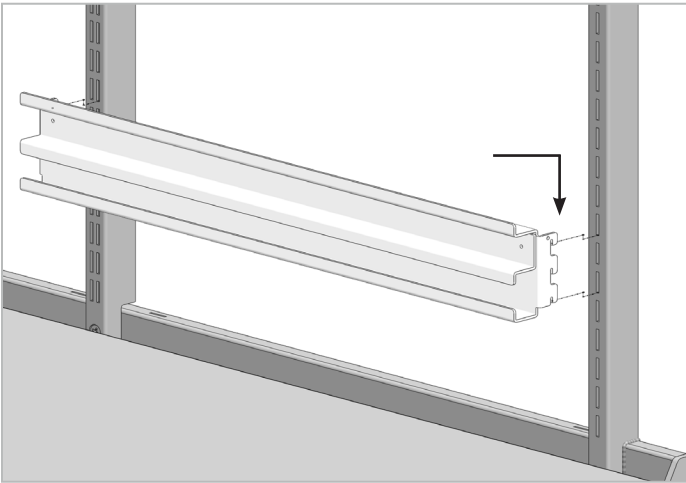
PSBRxx

#### HARDWARE PACK

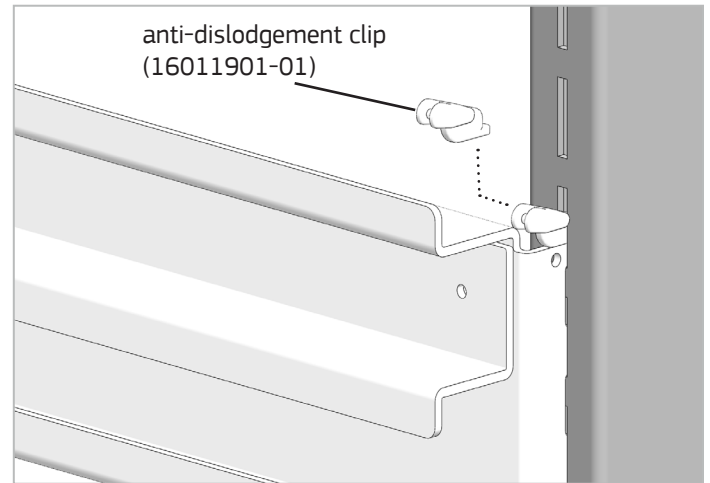
PADHP (p/n 16091401-01)

#### REQUIRED TOOLS

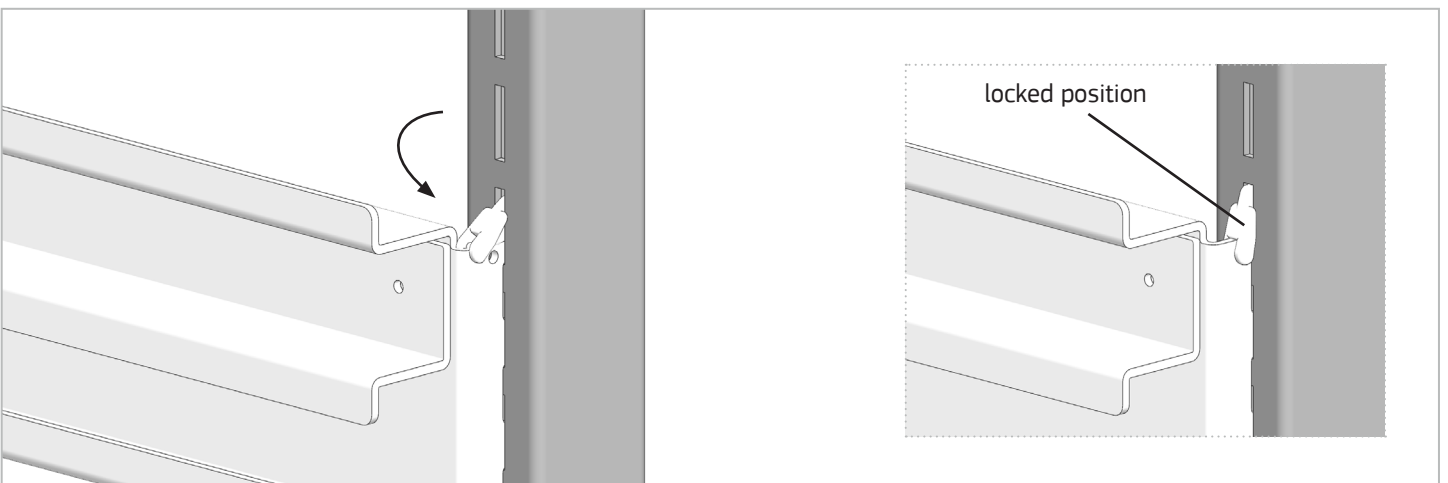
none



1. Align hooks in ends of ErgoStat Pro Slatwall/Bin Rail with slots in ErgoStat Pro Riser Frame. Insert hooks into slots and push down to ensure rail is firmly seated.



2. Insert tip of anti-dislodgement clip into slot above top hook of rail as shown.



3. Rotate the anti-dislodgement clip down until bottom of the clip snaps into the hole near the top hook of the rail. Repeat on the opposite side.