

# ErgoStat® Pro

## SHELVING

### Lower Shelf

## PRODUCT NUMBERS

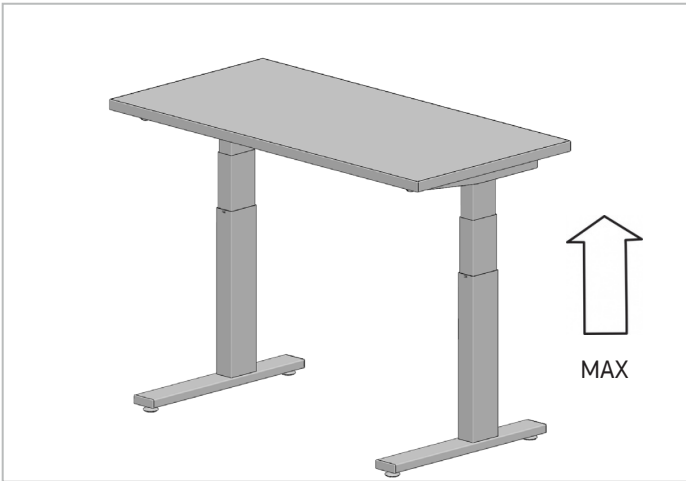
PLESxx

## HARDWARE PACK

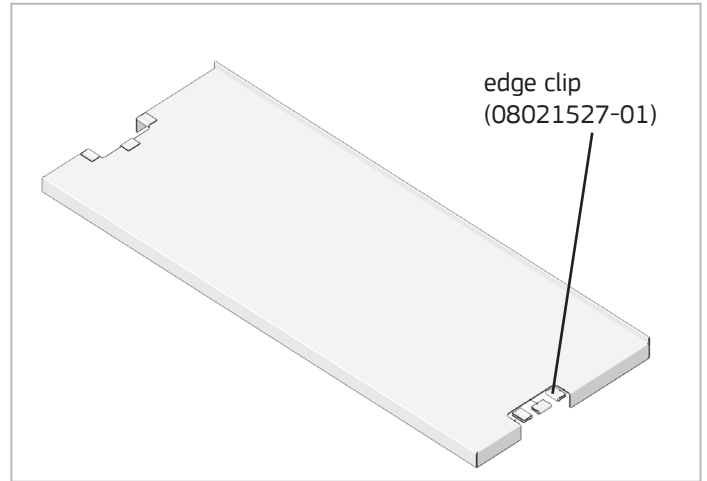
none

## REQUIRED TOOLS

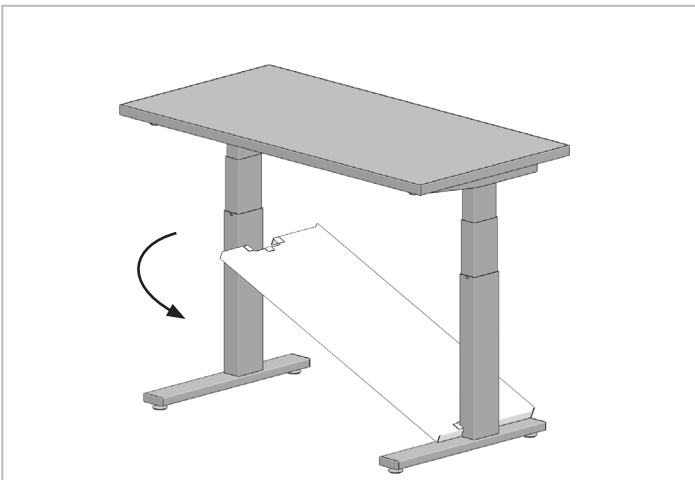
none



1. Set base at maximum height.



2. Install six (6) edge clips in notched area of shelf, three per side.



3. Hold shelf at an angle and insert between legs of base, centered notch on each side of shelf around leg. Rotate shelf down to flat position.