

ErgoStat® Pro

BASES AND RISER FRAMES

Riser Frame

PRODUCT NUMBERS

PRF29Uxx, PRF29Fxx

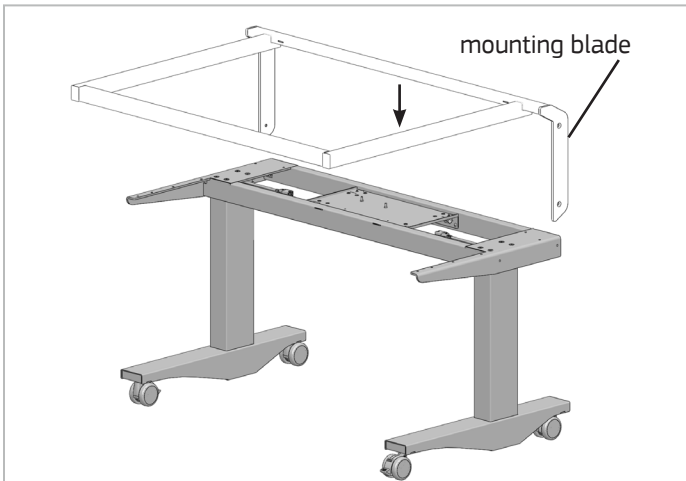
HARDWARE PACK

PRFHP (p/n 16032901-01)

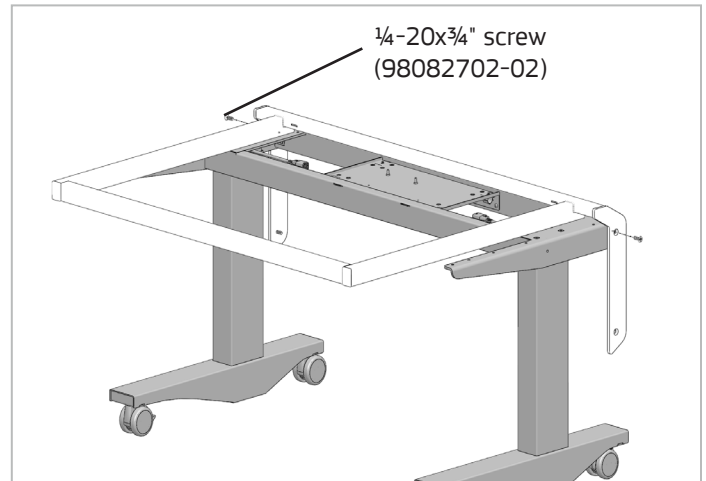
REQUIRED TOOLS

#2 Phillips Screwdriver

WARNING: Do not hang components from the unsupported side of a frame or panel.



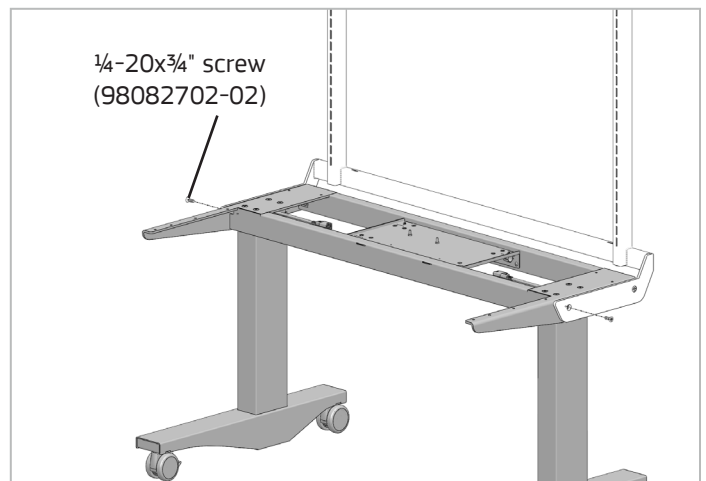
1. Center ErgoStat Pro Riser Frame over ErgoStat Pro Base with mounting blades outboard of base top supports. Rest riser face down on top of base.



2. Align the rear holes in the riser mounting blades with the rear holes in the base top supports. Fasten with a 1/4-20x3/4" Phillips flat head screw using a #2 Phillips screwdriver.



3. Rotate the Riser Frame back into its upright position.



4. Install 1/4-20x3/4" Phillips flat head screws into the front mounting blade hole on each side of the Riser Frame. Tighten all four screws securely with a #2 Phillips screwdriver.