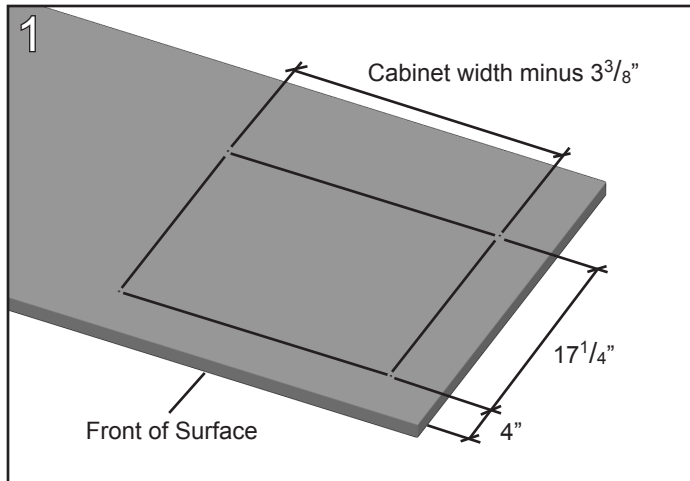


Suspended Base Cabinets

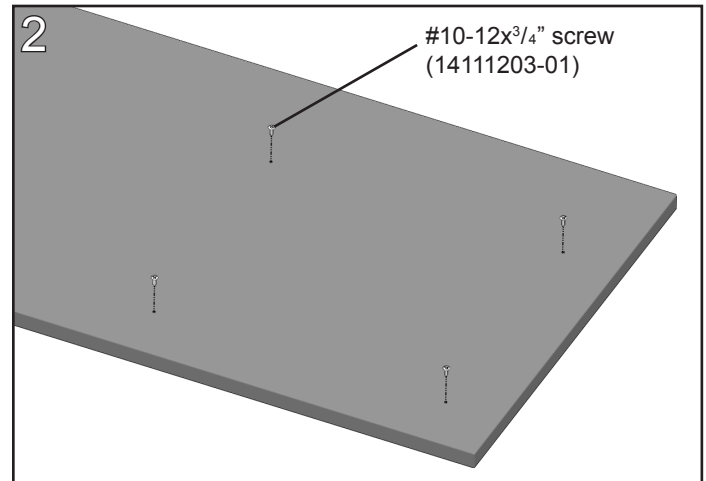
Product Numbers

- LUCB25yyS

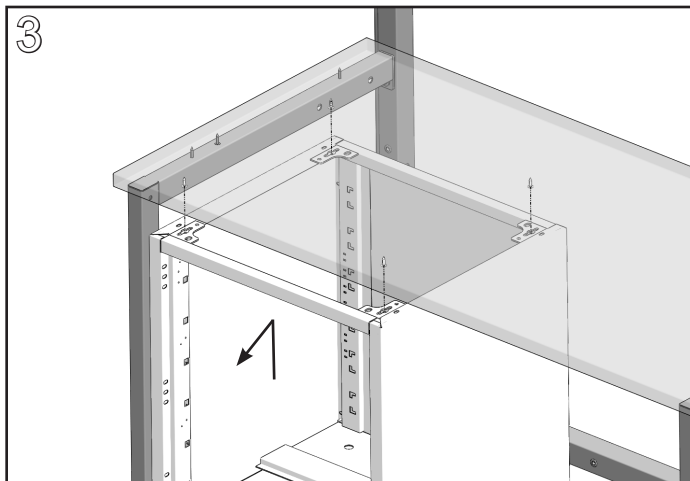
Hardware Pack: LUCBSHP (p/n 15020901-01)



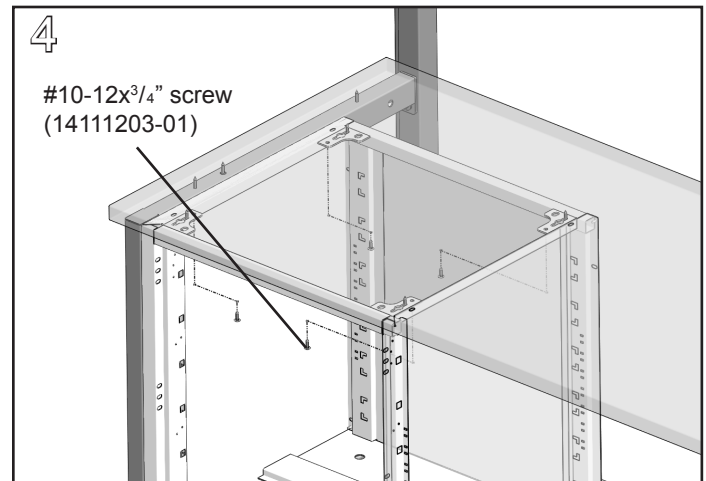
Determine location of cabinet and mark holes on bottom of surface as shown. Cabinet will overhang hole pattern so ensure there is at least $1\frac{3}{4}$ " clearance left and right of the hole pattern when the surface is installed. Drill pilot holes with $\frac{1}{8}$ " **drill bit** and **cordless drill/driver**, $\frac{1}{2}$ " depth recommended.



Install a #10-12 $\frac{3}{4}$ " Phillips truss head machine screw in each pilot hole, leaving a $\frac{1}{4}$ " gap between the underside of the screw head and surface. Remove doors, drawers and shelves from Suspended Base Cabinet per the last two pages of this instruction sheet.



Align the centers of the keyslot holes in the top of the cabinet with the screws from step 2. Place cabinet against surface and pull cabinet forward so the screws slide in the keyslots. **WARNING:** The cabinet is not secure until step 4 is complete. The cabinet may drop if the screws disengage from the keyslots.



Install a #10-12 $\frac{3}{4}$ " screw through the round holes in each corner of the cabinet. Securely tighten all (8) screws with a **#2 Phillips bit** and **cordless drill/driver**. Reinstall doors, drawers and shelves in Suspended Base Cabinet per the last two pages of this instruction sheet.

SYMBIOTE® Technical Furniture

www.symbiote.com 300 N. Centennial Street Zeeland, MI 49464 ph: (616)772-1790 fx: (616)772-1797

Installation Instructions

Suspended Base Cabinets

Drawer Installation and Removal

Drawers are factory installed prior to shipment. Drawers are usually removed during base cabinet installation, and they must be reinstalled and adjusted to complete the installation. This is accomplished as follows:

Drawer Removal

Removing the drawer body from the slide assembly is easily accomplished, without tools, by deflecting a nylon lever built into the innermost member of the slide (Illustration 1).

- 1.1. Pull the drawer out to its fully extended position and locate the black nylon lever on each side.
- 1.2. Push the black nylon lever up on the left side, and down on the right side, while pulling out gently on the drawer. (For certain styles of slides, the levers will need to be pushed in, rather than pushed up and down.)
- 1.3. Pull the drawer body completely out of the slides, noting that the ball bearings in the slide align and engage within the grooved track. (Important: Take note of how the bearings engage in these grooves to lock the slide members together – see Illustration 2.)

Illustration 1

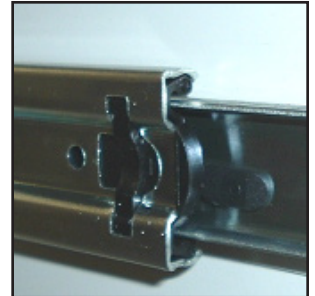
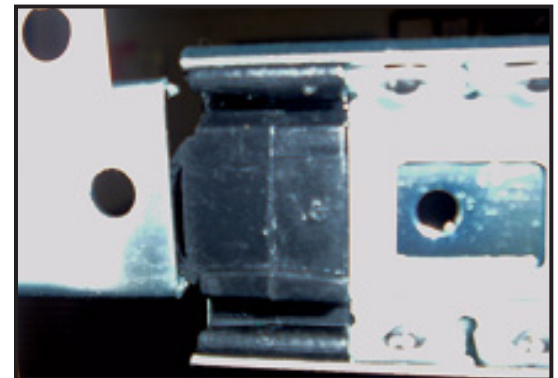


Illustration 2



Drawer Installation

To reinstall, pull the bearings all the way forward from the slides in the cabinet. Align the slides on the drawer within the slides in the cabinet. Push the drawer in with equal pressure on both sides. The black nylon lever on the slide attached to the drawer body will lock the drawer in place (Illustration 3).

Drawer Adjustment

You can adjust the drawer up or down if the gap at the top or bottom is uneven. Proper spacing at top and bottom is 0.125”.

- 1.1. Loosen the adjustment screws in the lower inside corners of the drawer front (Illustration 3).
- 1.2. Grab the drawer front and slide it up or down.
- 1.3. Tighten the screws and check for fit. Repeat if necessary.

Illustration 3



SYMBIOTE[®] Technical Furniture

www.symbiote.com 300 N. Centennial Street Zeeland, MI 49464 ph: (616)772-1790 fx: (616)772-1797

Installation Instructions

Suspended Base Cabinets

Door Adjustment

Ideal spacing of doors: The spacing around the top, bottom and sides of doors should be 0.125". The space between doors also should be 0.125" (Illustration 4).

Adjusting the door (hinge) up or down: Oversized hinge holes in the cabinet allow for side to side and limited up and down adjustment (Illustration 5). Each door can be adjusted slightly for spacing purposes by loosening the screws in the hinges and moving the door up or down. Be sure to tighten the screws securely when finished.

Illustration 4

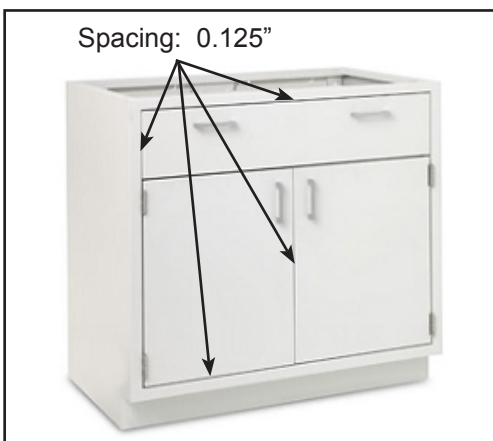
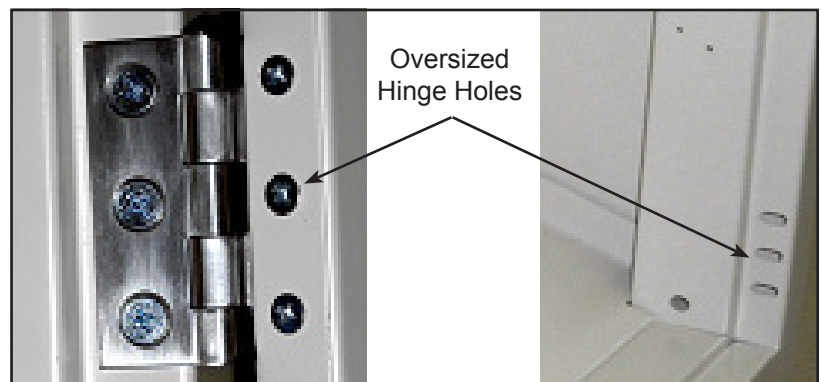


Illustration 5



Shelf Installation and Adjustment

Shelves are supported by adjustable shelf clips. Shelves are vertically adjustable in increments of 1.375".

1. Install the shelf clips in all four corners of the cabinet at the desired height (Illustration 6).
2. Tilt the shelf at an angle to place it in the cabinet (Illustration 7), being careful not to scratch the inside of the cabinet.
3. At extreme shelf locations (top or bottom), it may be desirable to install the rear clips first, then rest the back of the shelf on the rear clips while holding up the front of the shelf, and then install the front clips.

Illustration 6



Illustration 7



SYMBIOTE® Technical Furniture

www.symbiote.com 300 N. Centennial Street Zeeland, MI 49464 ph: (616)772-1790 fx: (616)772-1797