

## High Density Shelf Lip

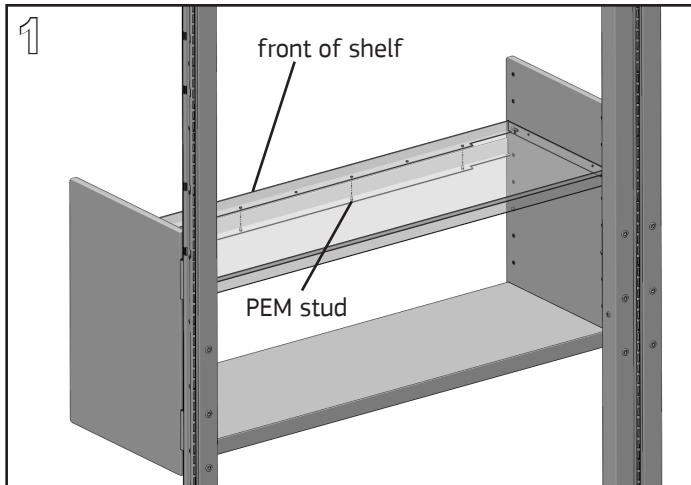
### Product Numbers

- HDLxx

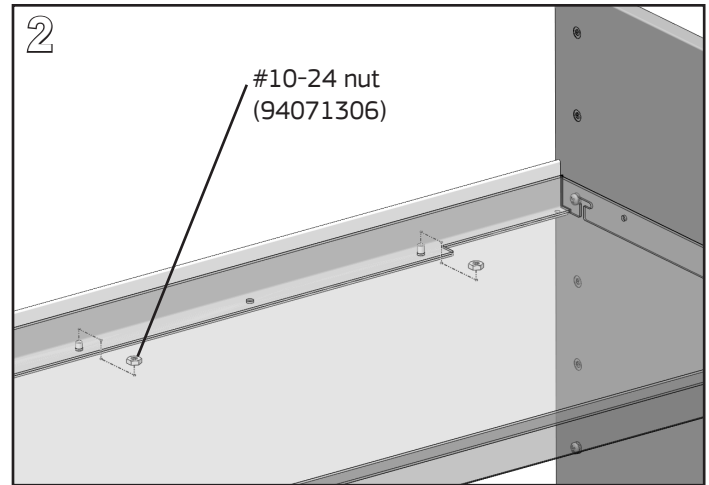
Hardware Pack: HDLHP (p/n 14061923-01)

### Required Tools

- $\frac{3}{8}$ " Open End Wrench



Align the PEM studs in the bottom flange of the High Density Shelf Lip with the holes in the bottom flange of a flat High Density Shelf.



Fasten a #10-24 nut to each PEM stud and tighten securely with a  $\frac{3}{8}$ " open end wrench.