

## Computer Accessory Mounting Brackets

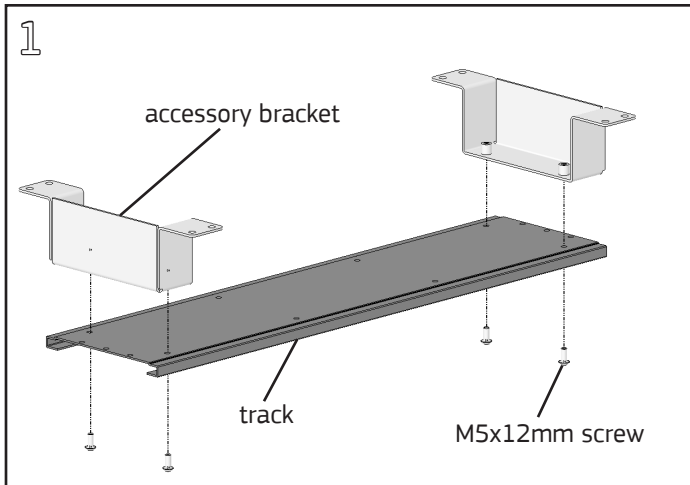
### Product Numbers

- ACMB

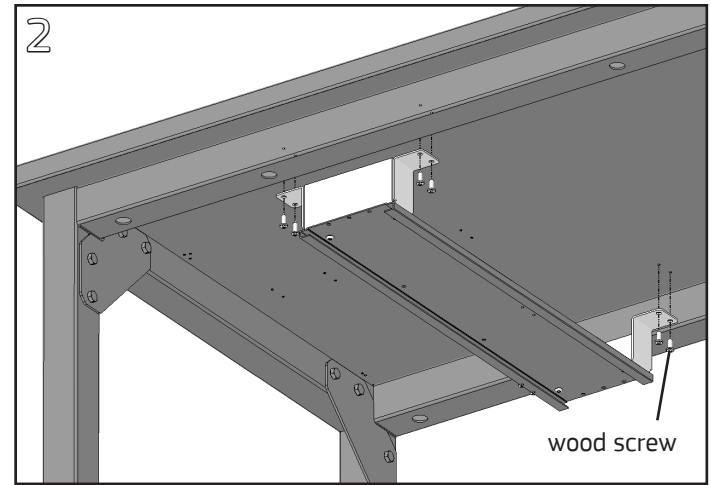
Hardware Pack: none

### Required Tools

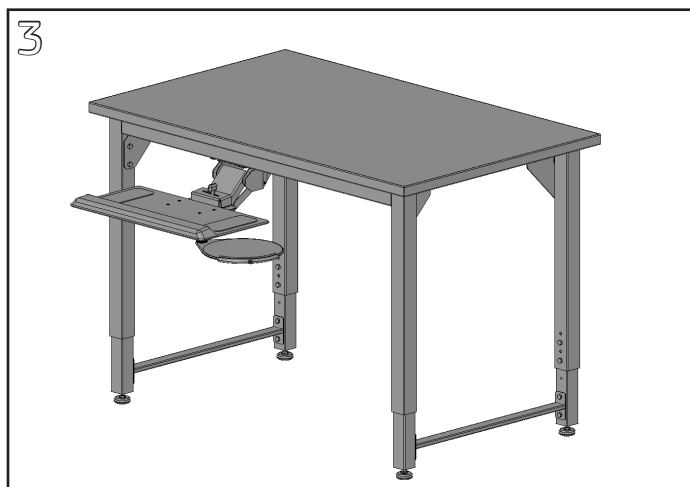
- #2 Phillips Bit
- 3mm Allen Wrench
- Cordless Drill/Driver



Attach accessory brackets to the front and back of the computer accessory track with (2) M5x12mm socket drive screws per bracket using a **3mm Allen wrench**.



Fasten accessory brackets to the bottom of the surface behind front rail of table with (8) of the wood screws provided with the computer accessory using a **cordless drill** and **#2 Phillips bit**. Ensure proper clearance for the width of the computer accessory when attaching brackets.



Complete assembly of computer accessory per product installation instructions.