

## Storage Accessory Mounting Brackets

### Product Numbers

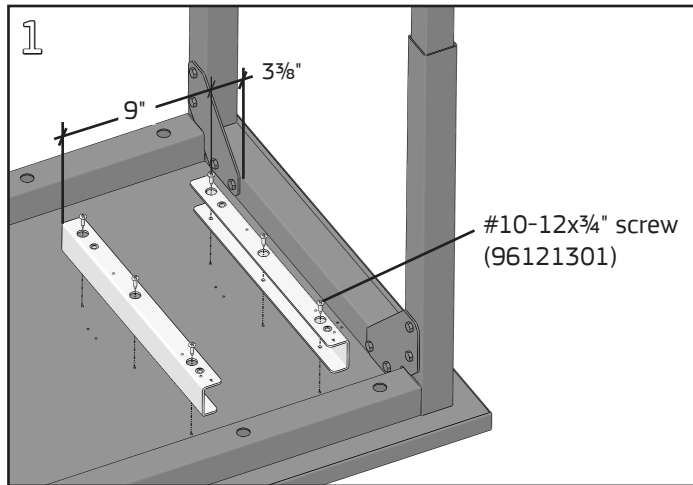
- ASMB

Hardware Pack: ASMBHP (p/n 14043007-01)

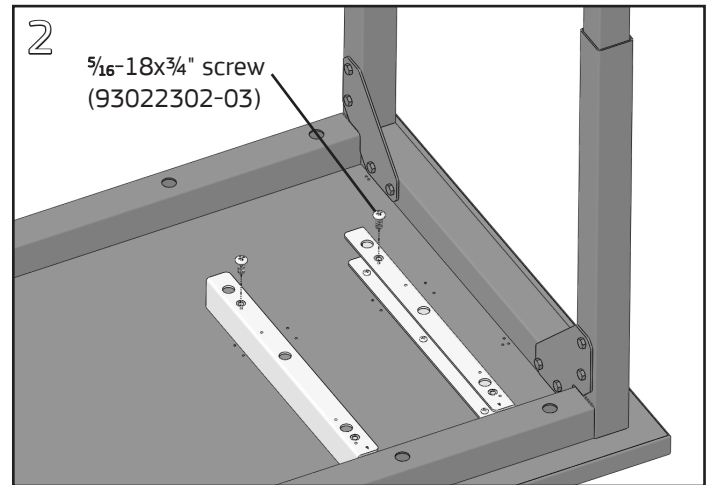
### Required Tools

- #2 Phillips Bit
- #4 Phillips Screwdriver
- Cordless Drill/Driver

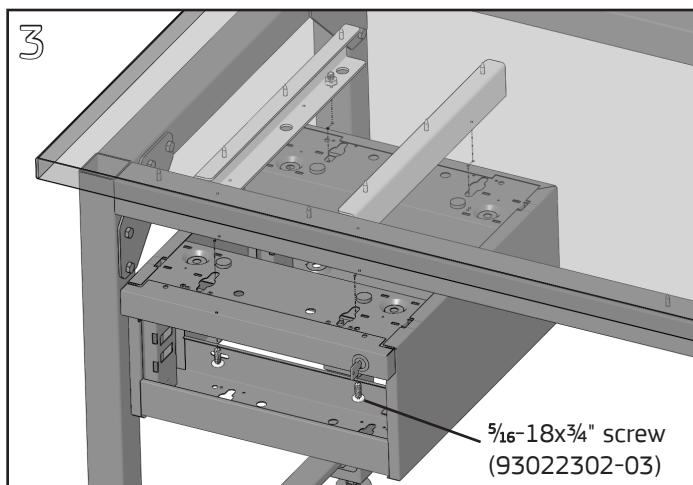
### Pedestal Mount (steps #1-4)



Orient brackets with the arrow end pointing towards the front of table. Space brackets 9" apart and allow clearance under table for the 15" wide pedestal. For a close fit of the pedestal on the left/right side of the table, position bracket approximately  $3\frac{3}{8}$ " from the inside of the table leg. Attach brackets to surface with (6) #10-12x $\frac{3}{4}$ " screws using a #2 Phillips bit and cordless drill.



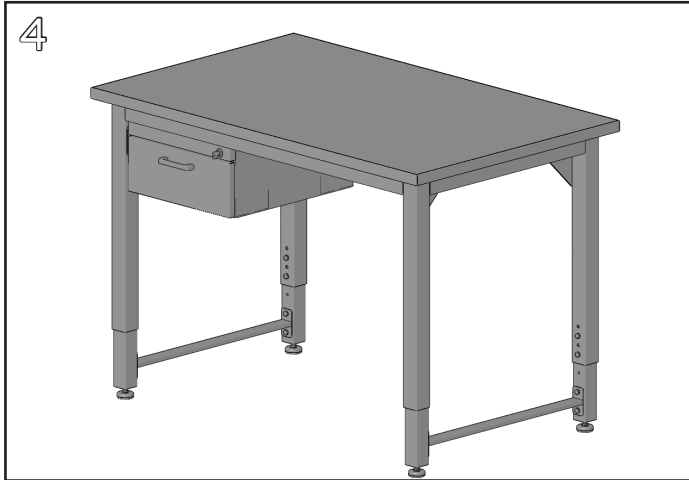
Insert (2)  $\frac{5}{16}$ -18x $\frac{3}{4}$ " Phillips pan head screws in the back weldnuts of the brackets, leaving a  $\frac{1}{4}$ " gap between the underside of screw head and bracket.



Remove pedestal drawers per installation instructions. Align center of rear keyslots in pedestal with the preinstalled screws in the brackets. Slide the pedestal back to engage screw. While supporting the front of the pedestal, install (2)  $\frac{5}{16}$ -18x $\frac{3}{4}$ " Phillips pan head screws through the front key-slots of the pedestal in the front weldnuts of the brackets. Tighten all four screws with a #4 Phillips screwdriver.

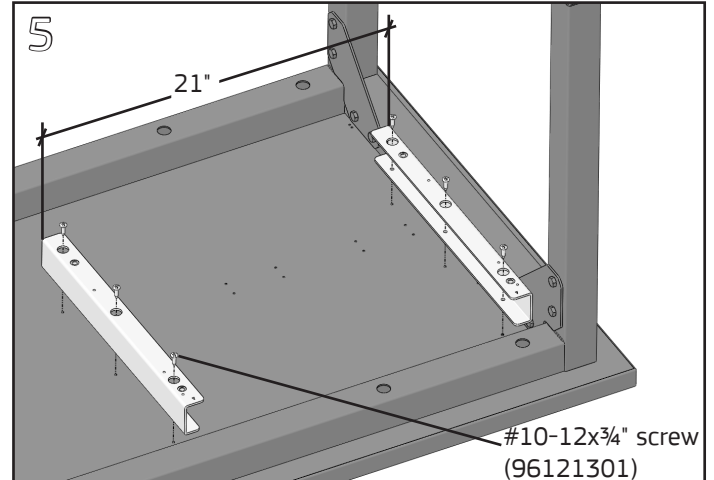
## Storage Accessory Mounting Brackets

### Pedestal Mount (steps #1-4)

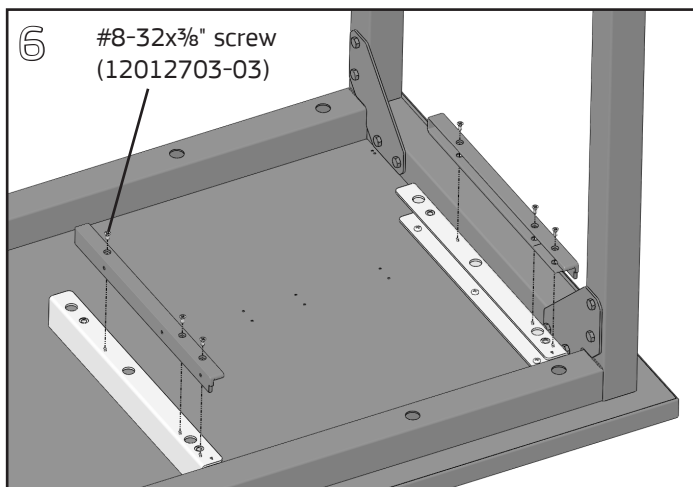


Reinstall pedestal drawing per the installation instructions.

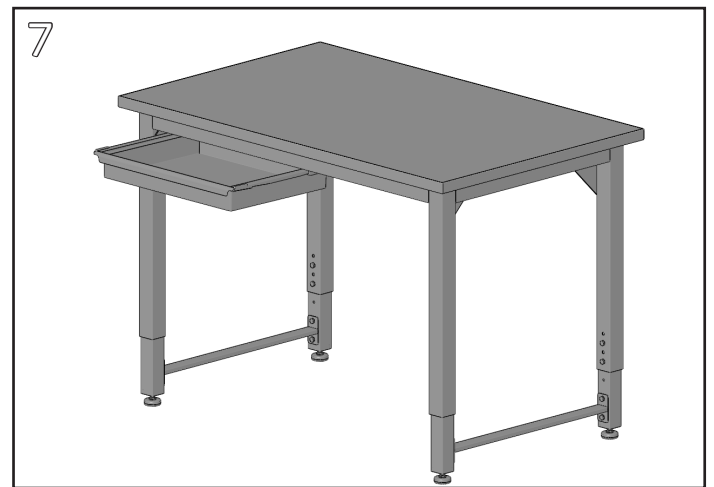
### Tote Bearer/Pencil Drawer Mount (steps #5-7)



Orient brackets with the arrow end pointing towards the front of the table. Space the brackets 21" apart. Attach brackets to the surface with (6) #10-12x $\frac{3}{4}$ " screws using a #2 Phillips bit and cordless drill.



Align holes in the top of the tote/drawer bearers with the tapped holes in the brackets. Fasten bearers to the brackets with (3) #8-32x $\frac{3}{8}$ " Phillips flat head screws per side.



Slide tote/drawer into bearers.