

## Utility Dispenser Mounting Bracket

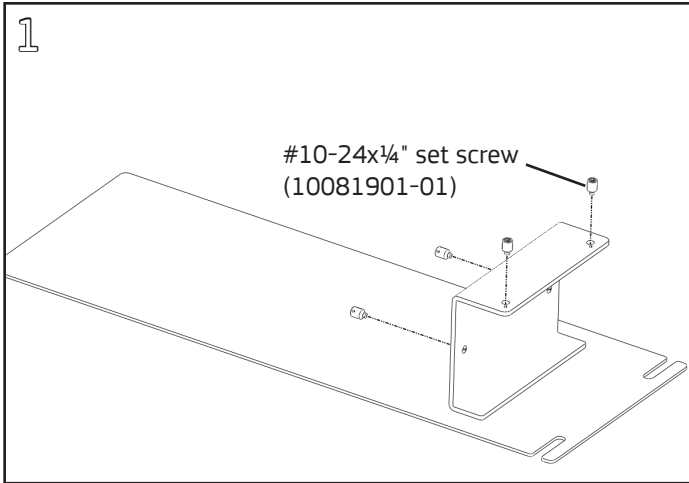
### Product Numbers

- UDMB

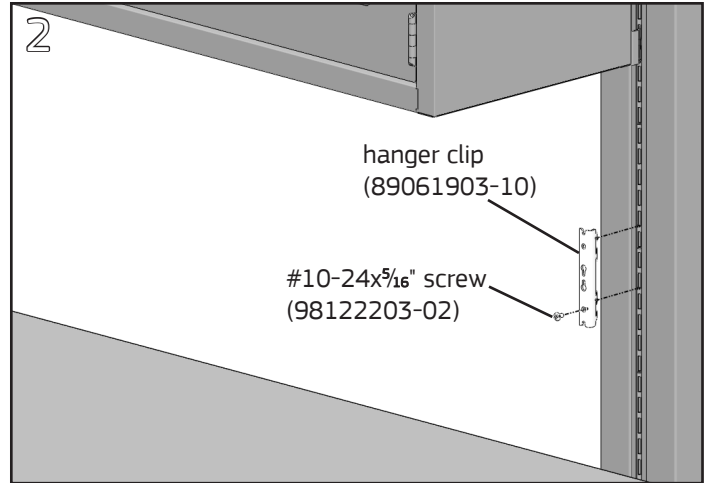
Hardware Pack: UDMBHP (p/n 14021705-01)

### Required Tools

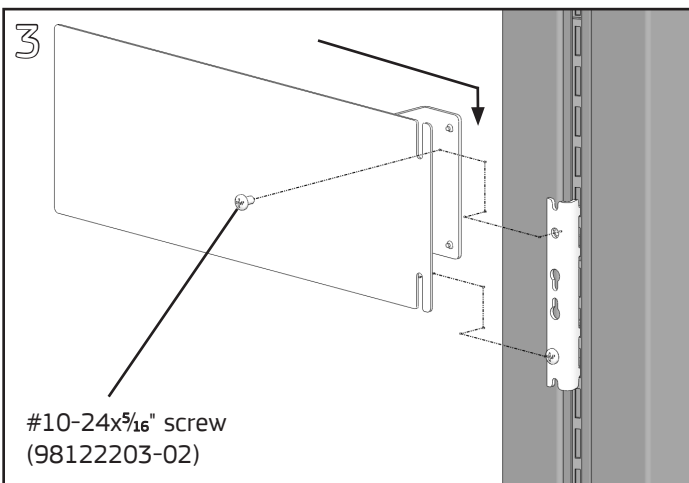
- #2 Phillips Screwdriver
- $\frac{3}{32}$ " Allen Wrench
- Cordless Drill/Driver



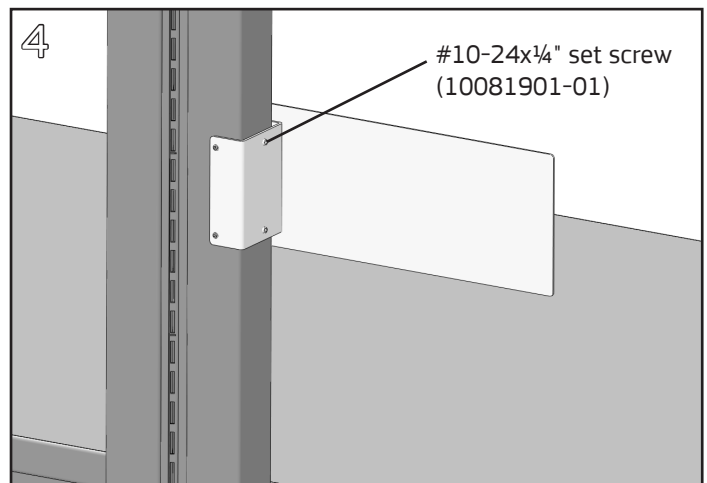
Preassemble (4) #10-24x $\frac{1}{4}$ " set screws in the tapped holes on the side and back of the bracket. If desired, predrill mounting holes in the bracket face for the component to be mounted to the bracket (components and component mounting hardware not provided).



Install hanger clip on the left or right side of the frame. Install a #10-24x $\frac{5}{16}$ " Phillips pan head screw into the bottom hole of the clip. Leave a  $\frac{1}{8}$ " gap between the screw and clip.



Place the bracket assembly around the vertical tube of the frame, align the lower slot in the bracket with the screw in the hanger clip and slide down. Install a #10-24x $\frac{5}{16}$ " Phillips pan head screw into the top hole of the clip and fully tighten both screws with a #2 Phillips screwdriver.



Fully tighten all set screws on the side and back of the bracket with a  $\frac{3}{32}$ " Allen wrench.