

## Electrical Distributor Transition Cover, Corner

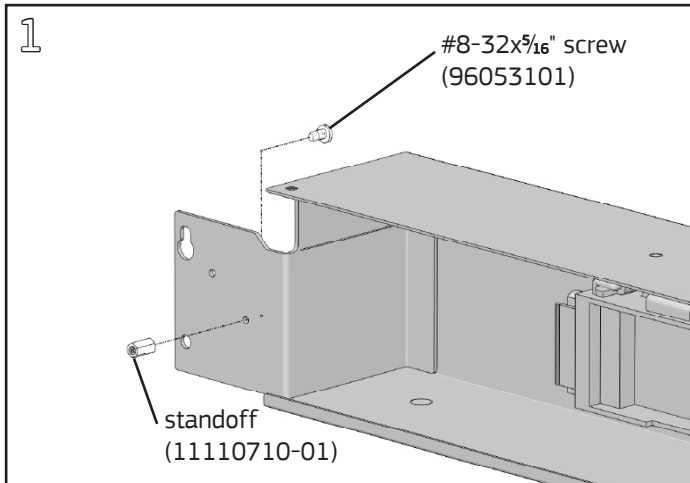
### Product Numbers

- EDCT2L
- EDCT2R

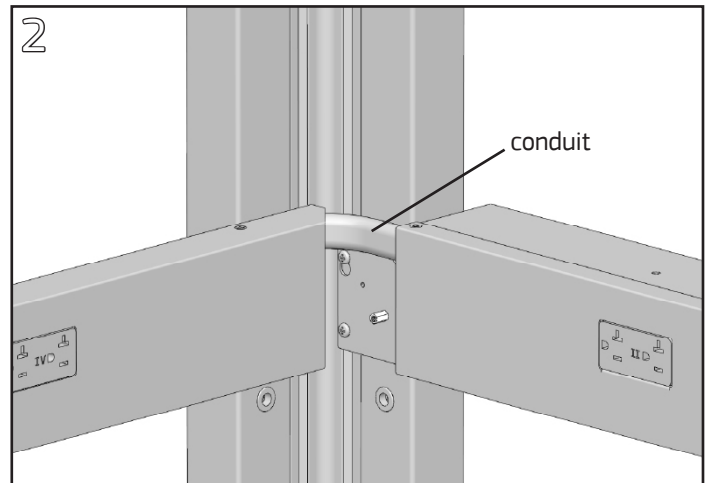
### Required Tools

- #2 Phillips Screwdriver
- ¼" Wrench

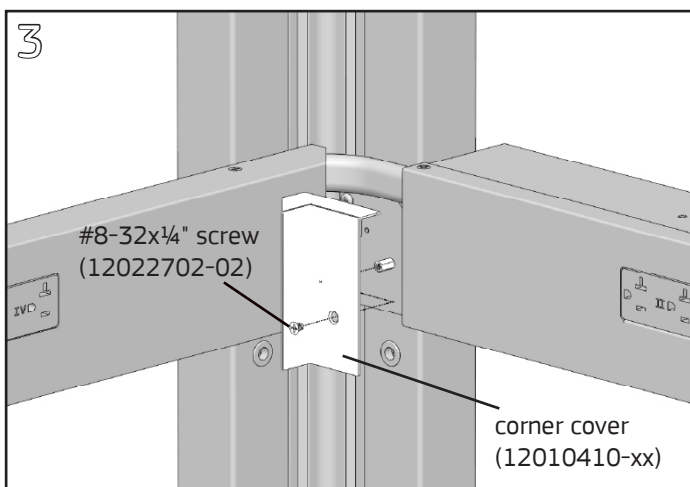
**Hardware Pack:** EDCT2L (p/n 12022522-01) or EDCT2R (p/n 12022522-02)



Before installing Electrical Distributors on the frames, install a #8-32x $\frac{5}{16}$ " Phillips pan head screw in the lower tapped hole of the end flange on the Inset-Mount Electrical Distributor. Fasten a hex standoff to the end of the screw and tighten with a ¼" wrench and a #2 Phillips screwdriver.



Install Electrical Distributors and Jumper Cable per individual product installation instructions. Route the Jumper Cable conduit above the Electrical Distributor hanger clips.



Align the countersunk hole in the corner cover with the standoff attached to the Electrical Distributor. Insert a #8-32x $\frac{1}{4}$ " Phillips flathead screw through the counter-sunk hole and tighten with a #2 Phillips screwdriver.