

Electrical Distributor Face-Mount Cover, 3-way

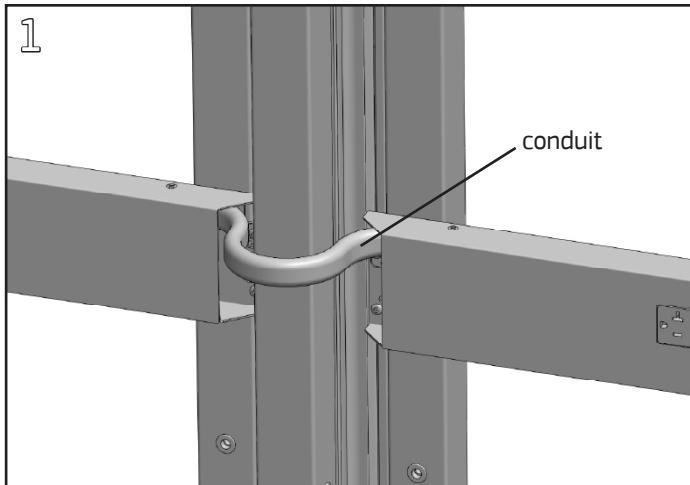
Product Numbers

- EDCF3

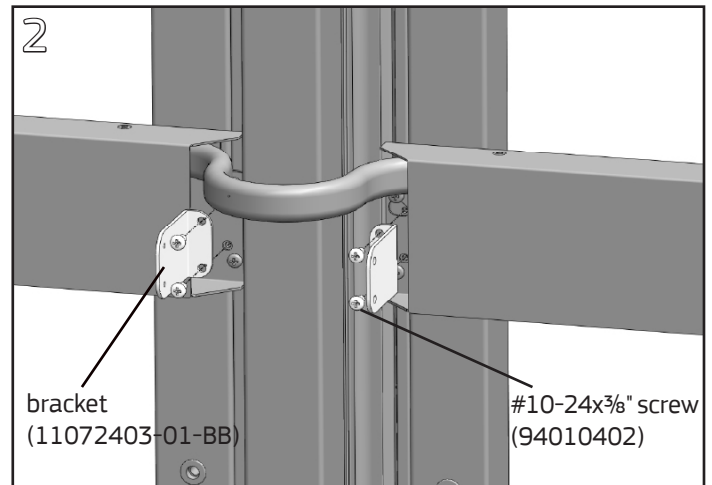
Required Tools

- #2 Phillips Screwdriver

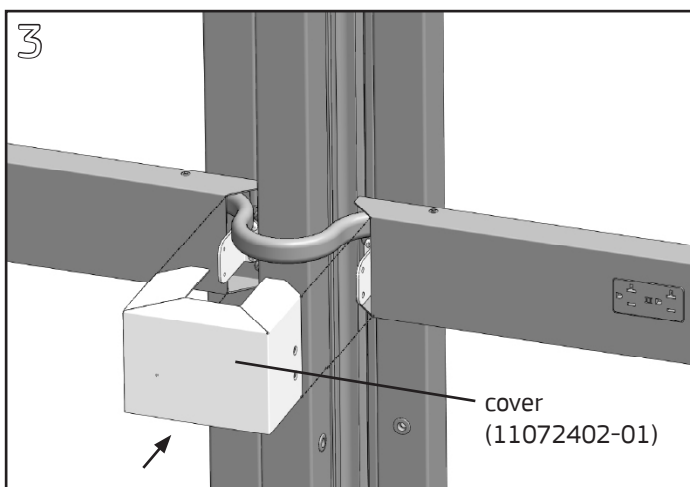
Hardware Pack: EDCF3 (p/n 12022513-01)



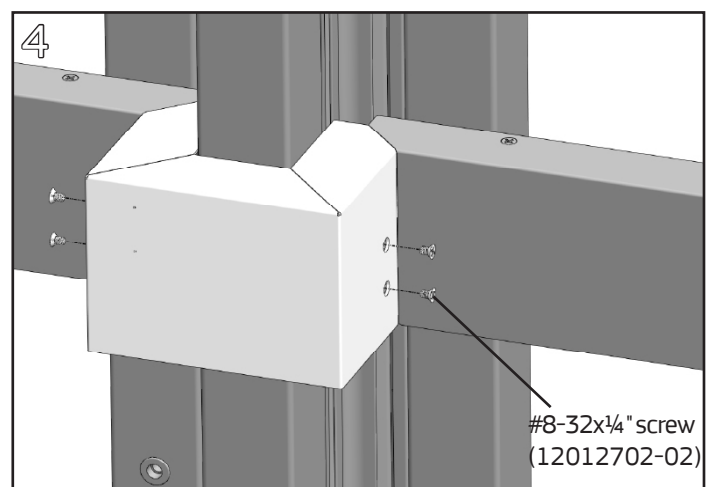
Install Electrical Distributors and Jumper Cable per individual product installation instructions. Route the Entry Cable conduit near the top of the Electrical Distributor.



Attach a bracket to each distributor end with two #10-24x $\frac{3}{8}$ " Phillips pan head screws, fastening into the two tapped holes in the clip of the Electrical Distributor. Tighten screws with a #2 Phillips screwdriver.



Slide the cover over the flange of each bracket.



Align the countersunk holes in the cover with the tapped holes in the bracket flanges. Fasten the cover with two #8-32x $\frac{1}{4}$ " Phillips flathead screws on each bracket using a #2 Phillips screwdriver.