

Electrical Distributor Face-Mount Cover, Entry

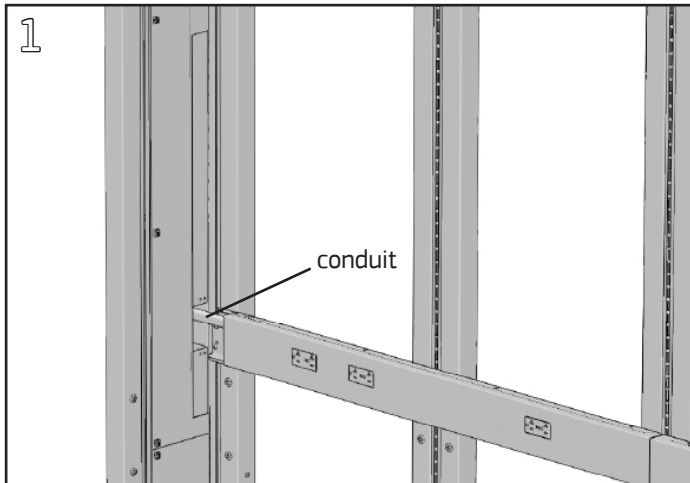
Product Numbers

- EDCF1L
- EDCF1R

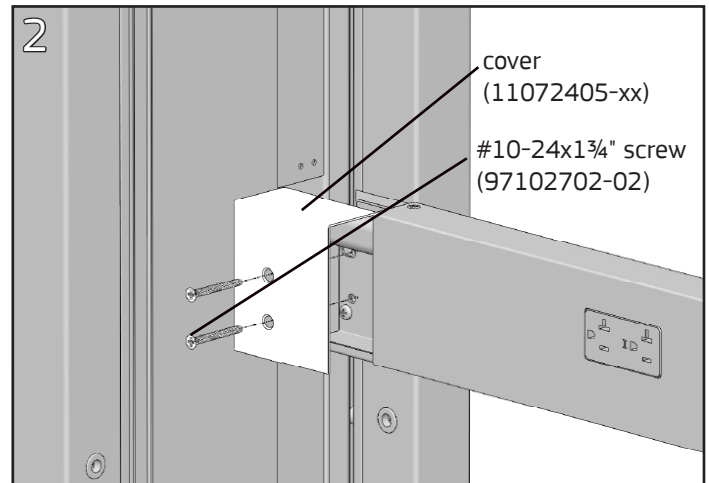
Required Tools

- #2 Phillips Screwdriver

Hardware Pack: EDCF1L (p/n 12022511-01) or
EDCF1R (p/n 12022511-02)



Install Vertical Distributor, Electrical Distributor and Entry Cable per individual product installation instructions. Route the Entry Cable conduit near the top of the Electrical Distributor to ensure it will clear the cover fasteners in step 2.



Insert two #10-24x1 $\frac{3}{4}$ " Phillips flathead screws through the countersunk holes in the cover and align with the two tapped holes in the clip of the Electrical Distributor. Tighten screws with a #2 Phillips screwdriver.