

Data Distributor Face-Mount Router, Chase Entry

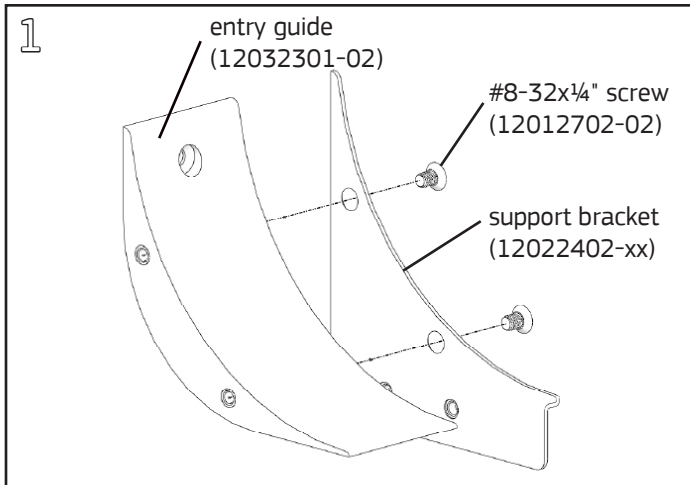
Product Numbers

- DDRF1L
- DDRF1R

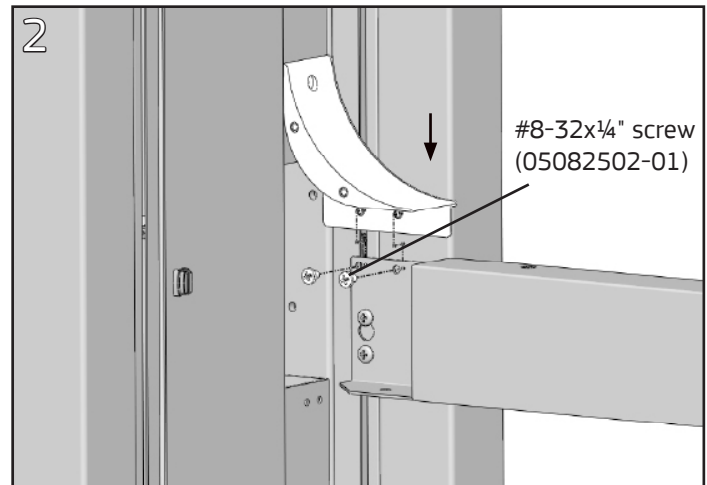
Required Tools

- #2 Phillips Screwdriver

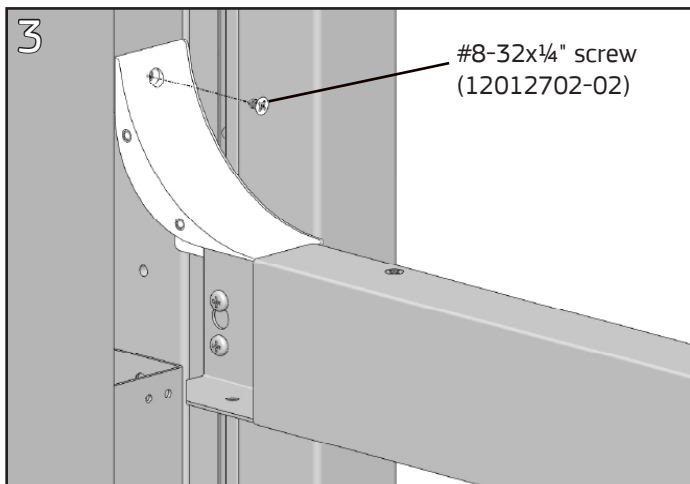
Hardware Pack: DDRF1x (p/n 12021811-xx)



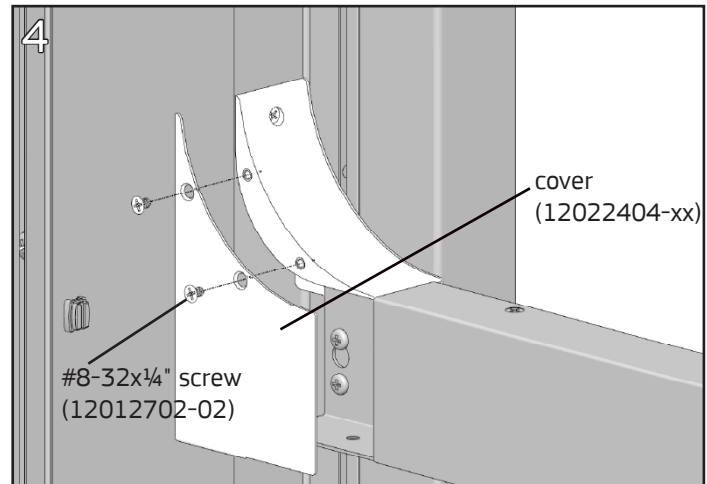
Assemble the entry guide to the support bracket with two #8-32x1/4" Phillips flathead screws using a #2 Phillips screwdriver. The counterbored hole in the entry guide should be near the top portion of the support bracket.



Slide the support bracket behind the Data Distributor base, aligning the holes in the support bracket with the two holes in the corner of the base. Fasten with two #8-32x1/4" Phillips pan head screws using a #2 Phillips screwdriver.



Attach the entry guide to the Vertical Distributor slider with a #8-32x1/4" Phillips flathead screw.



After routing data cables, attach the cover by fastening it to the entry guide with the two #8-32x1/4" Phillips flathead screws.