

Electrical Distributor, Single-sided Inset-mount

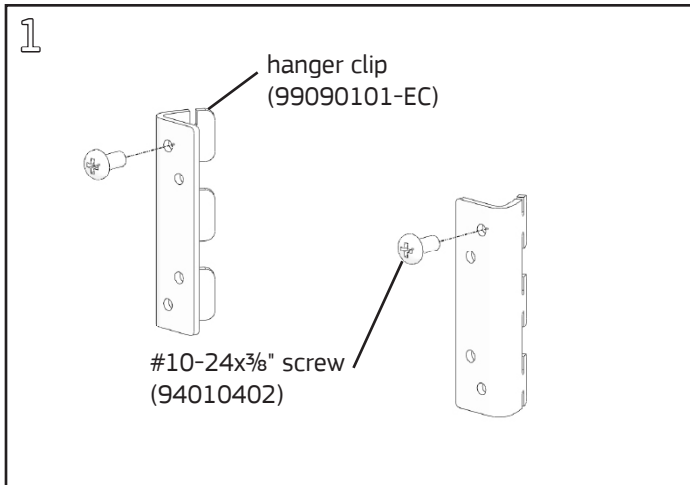
Product Numbers

- EDSNxyz
- EDR20S

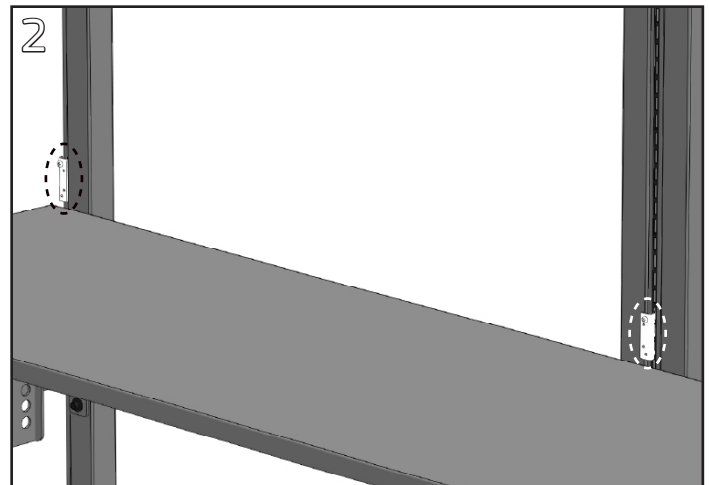
Required Tools

- #2 Phillips Screwdriver

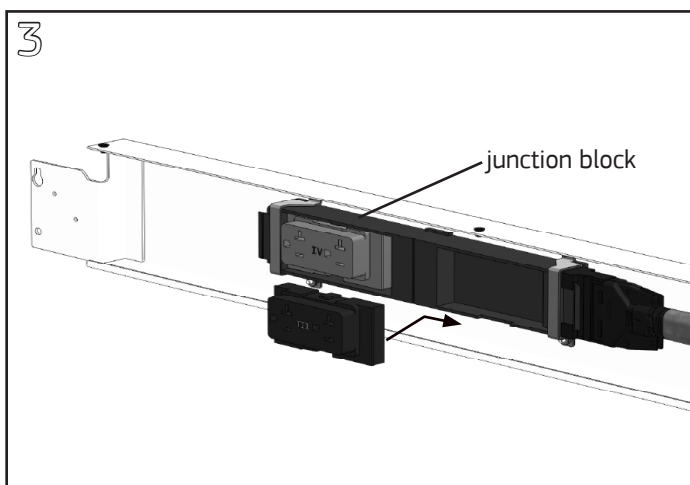
Hardware Pack: EDHP (p/n 11051511-01)



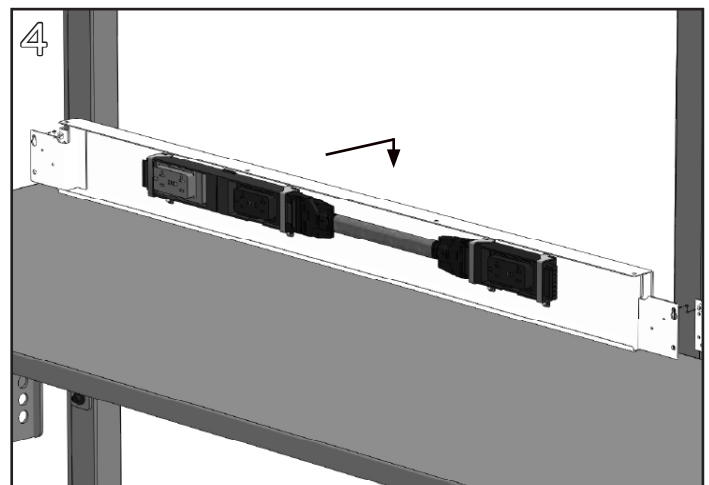
Install a #10-24x $\frac{3}{8}$ " Phillips pan head screw into the top tapped hole of two hanger clips. Leave a $\frac{1}{8}$ " gap between the head of the screw and face of the clip.



Install a hanger clip on the left and right side of the frame at the same height with the screws at the top of each clip.

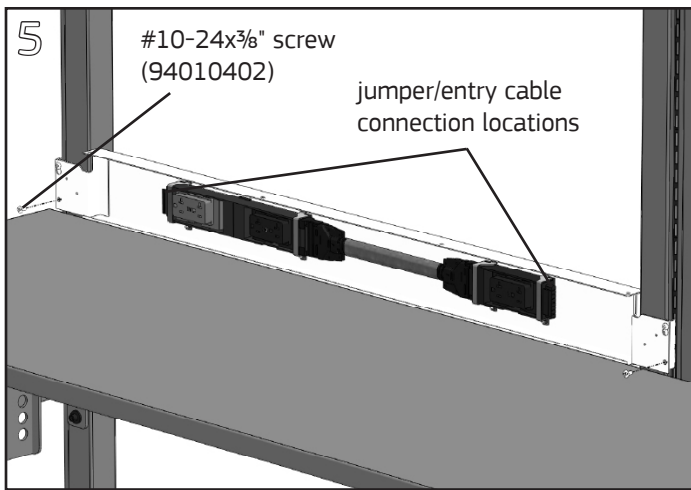


Install the Duplex Receptacles by inserting the receptacle into the junction block and sliding it to either the left or right until it clicks into place.

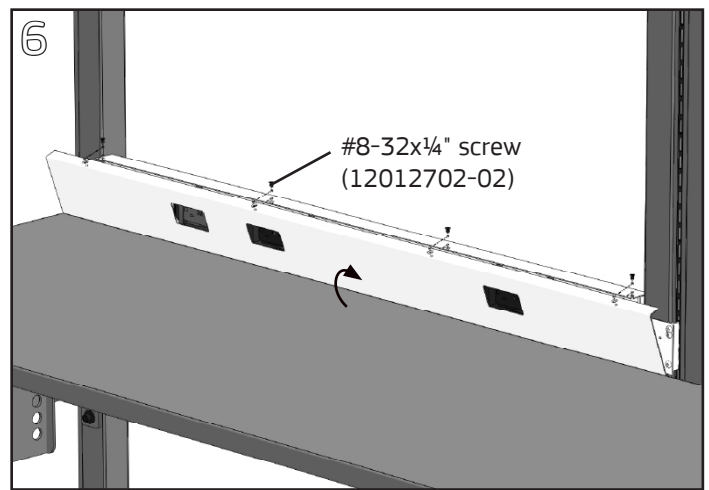


Align the bottom of the keyslots in the Electrical Distributor base with the heads of the #10-24 screws in the hanger clips from step 2. Slide the distributor down over the screws to engage.

Electrical Distributor, Single-sided Inset-mount



Install an additional #10-24x $\frac{3}{8}$ " Phillips pan head screw in the hole below the keyslot in each hanger clip. Fully tighten all hanger clip screws with a **#2 Phillips screwdriver**. Install required jumper/entry cables at the connection locations per additional instructions before proceeding to step 6.



Holding the Electrical Distributor cover at a slight angle, align the opening with a duplex receptacle and rotate until the cover flange is on top of the base. Align all countersunk holes in the cover with the holes in the base. Install a #8-32x $\frac{1}{4}$ " Phillips flathead screw in each countersunk hole and fully tighten with a **#2 Phillips screwdriver**.