

DESK PANEL DPF

Features:

- Control panel for simple up and down or with memory
- Colour black (RAL 9005) plastic, front cover and buttons or white (RAL 9016) plastic, front cover and buttons. Both versions with chrome print
- Black cable with modular jack plug, 1700 mm straight

Option:

- Different ways of mounting – straight or angled mounting bracket (to be ordered separately)

Usage:

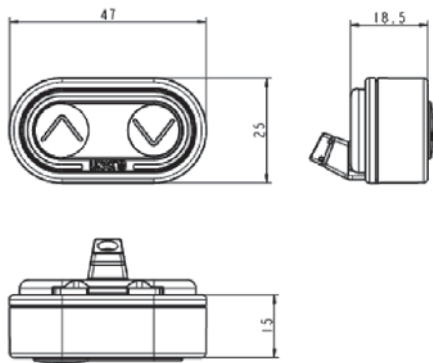
- Ambient temperature +5°C to +40°C
- Compatible with CBD4 and CBD5
- Will be approved according to EN 60335-1 and UL962



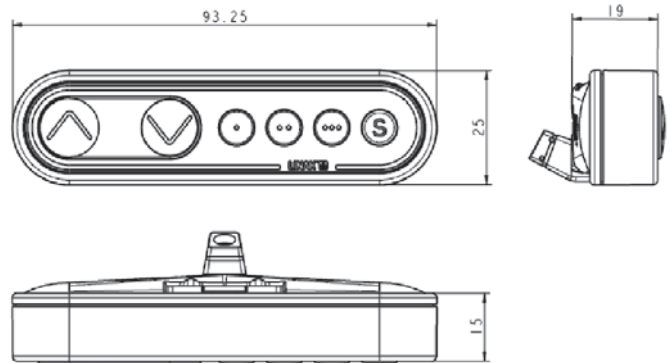
The hallmark of the DPF desk panel series is the new modern design which combines classic looks with intuitive, practical use. The up and down buttons have been made extra "user-friendly" as they are shaped "after the function" meaning the user can feel the differences and it is not necessary to look when operating the system.

Dimensions:

K-version

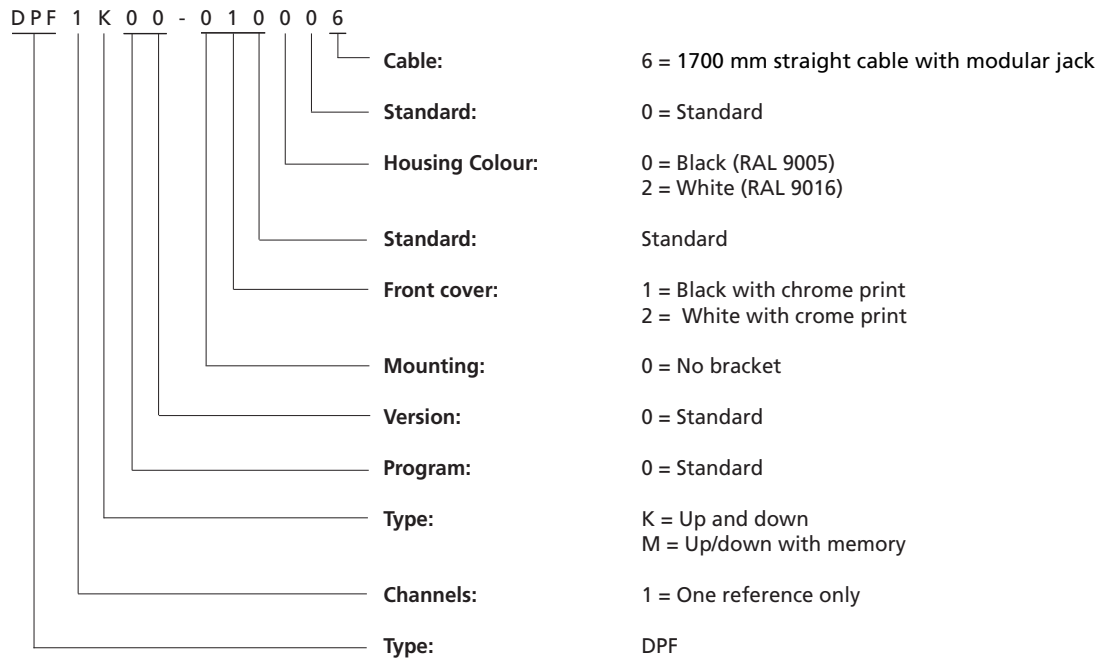


M-version



DPF

Ordering example:



* Brackets must be ordered separately.
Mounting brackets: (delivered in bags with 100 pieces)

Article number	Description
914759	90° bracket, no distance to the tabletop
914757	90° bracket, with distance to the tabletop
914760	45° bracket, for a straight table front
914785	45° bracket, for angled table front

Operation of the DPF:

K-version:

Just activate either the up or down button for parallel drive and the system will drive until the button is released again or the system reaches end position.

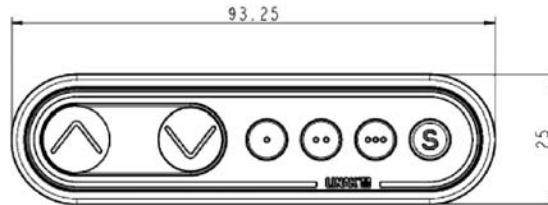
M-version:

The DPF is divided into parallel and memory drive. The two arrow buttons are used for parallel drive and the last four buttons for memory drive/storing memory.

Λ = Parallel up
V = Parallel down

S = Store memory

- = Memory 1
- = Memory 2
- = Memory 3



Parallel drive (ΛV)

The arrow buttons start parallel drive. The function is only activated when holding the button down.

Store memory

- Press S – button
- Within two seconds press one of the small buttons with dots and the position will be stored at this button.

Memory drive (small buttons with dots)

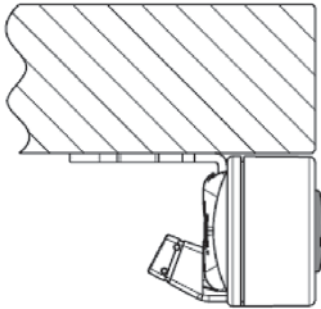
Press one of the memory buttons and the system will start driving to the pre-programmed memory position. Keep the button pressed until the position is reached.

Mounting of the DPF:

The DPF must be mounted via a mounting bracket. The mounting bracket comes in 4 different versions depending on how the panel should be mounted. Below are some examples on ways to mount:

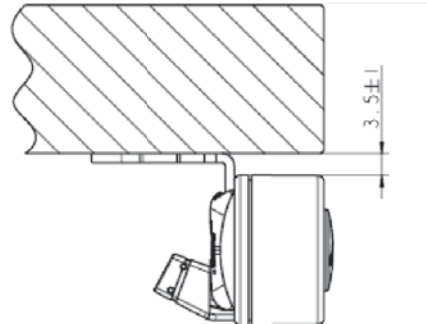
Example 1: (Article number 914759)

The panel is mounted with a 90° bracket and placed close to the tabletop.



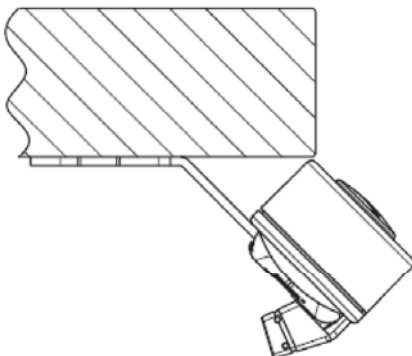
Example 2: (Article number: 914757)

The panel is mounted with a 90° bracket and placed with a distance to the tabletop.



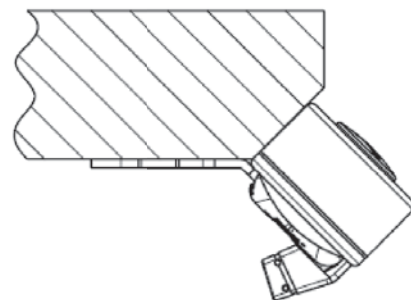
Example 3: (Article number 914760)

The panel is mounted with a 45° bracket and placed at the edge of the tabletop.



Example 4: (Article number 914785)

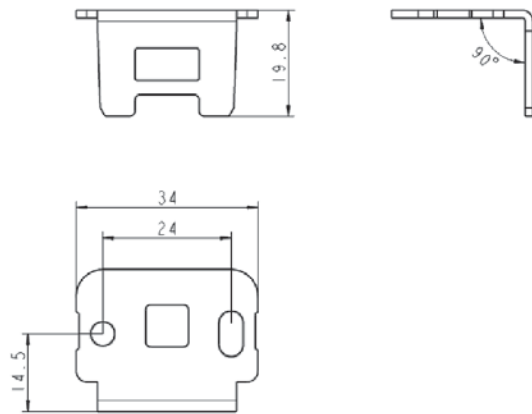
The panel is mounted with a 45° bracket and placed on a tabletop with angled front.



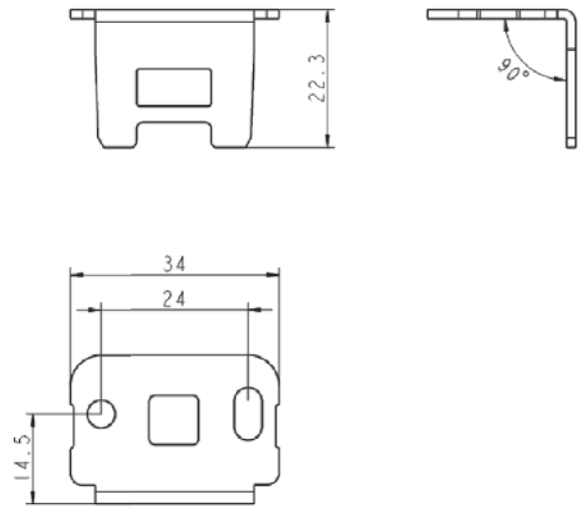
To mount the panel: Just click the panel into the bracket and it is fixed.

Drawings of the mounting brackets:

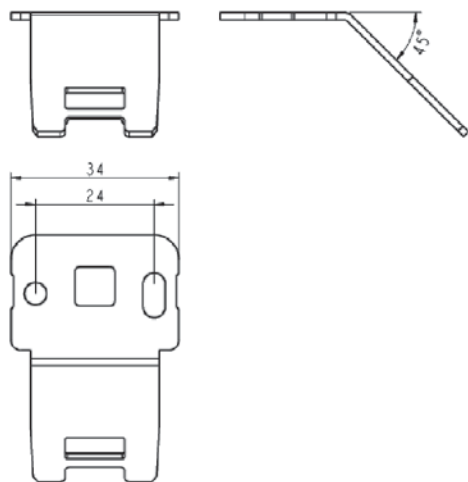
Article number 914759



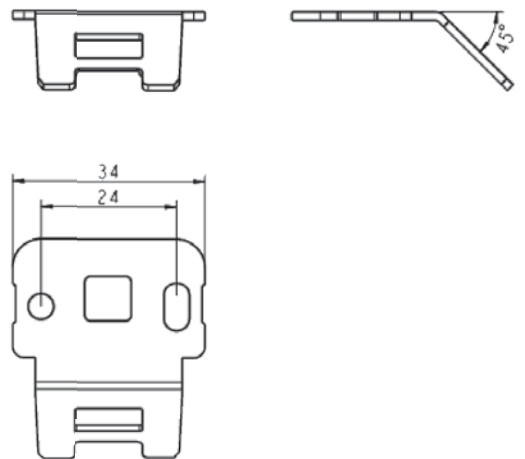
Article number 914757



Article number 914760



Article number 914785



Terms of use

The user is responsible for determining the suitability of LINAK products for specific application. LINAK takes great care in providing accurate and up-to-date information on its products. However, due to continuous development in order to improve its products, LINAK products are subject to frequent modifications and changes without prior notice. Therefore, LINAK cannot guarantee the correct and actual status of said information on its products. While LINAK uses its best efforts to fulfil orders, LINAK cannot, for the same reasons as mentioned above, guarantee the availability of any particular product. Therefore, LINAK reserves the right to discontinue the sale of any product displayed on its website or listed in its catalogues or other written material drawn up by LINAK. All sales are subject to the Standard Terms of Sale and Delivery for LINAK. For a copy hereof, please contact LINAK.