

Cable Kit Assembly

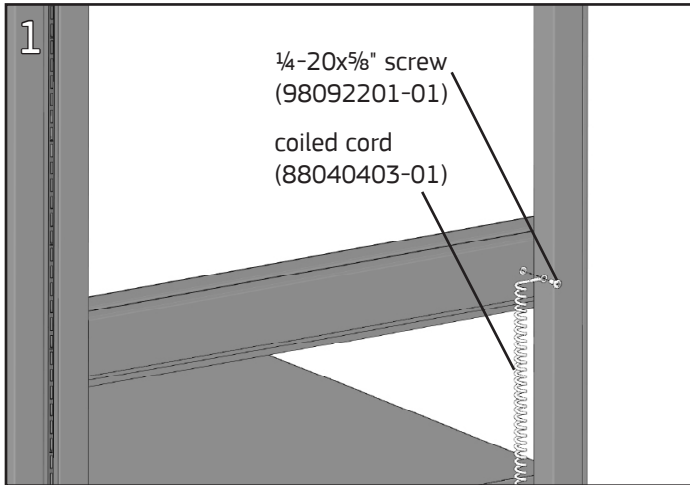
Product Numbers

- CKA
- Components with dissipative finish

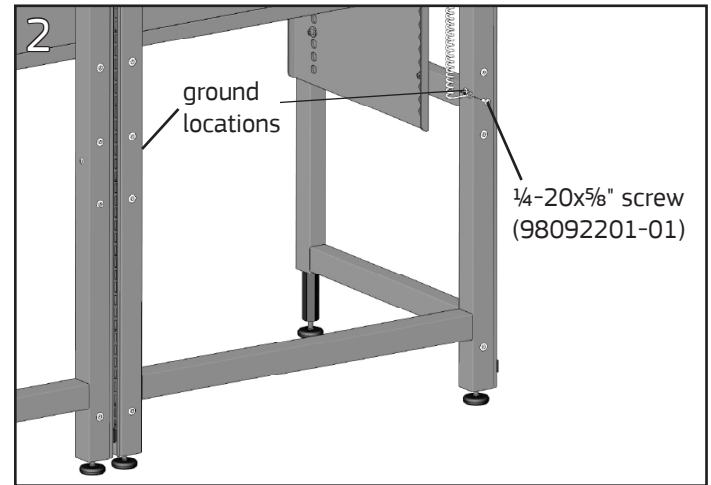
Hardware Pack: CKA (p/n 88081605)

Required Tools

- #2 Phillips screwdriver



Install the component to be grounded according to instructions. Attach one end of the coiled ground cord to the threaded insert in the bottom or back of the component using a 1/4-20x5/8" Phillips pan head screw and a #2 Phillips screwdriver.



Determine grounding location. If grounding to the frame, attach the other end of the coiled cord to one of the threaded inserts on the inside vertical tube of the frame using a 1/4-20x5/8" Phillips pan head screw. If grounding to a Common Point Ground plate, use the 1/4-20x5/16" screw provided with ground plate to attach the coil cord to the plate.