

**Mobile Pedestals**

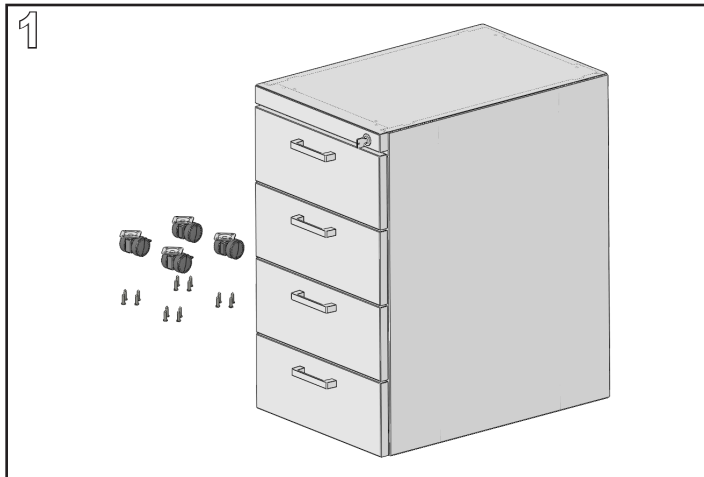
**Product Numbers**

- PMD6612
- PMD6666
- PMD1212

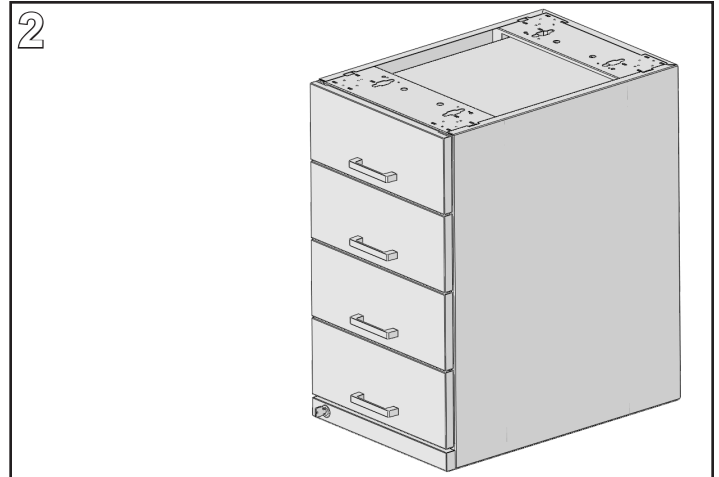
**Required Tools**

- #2 Phillips Screwdriver

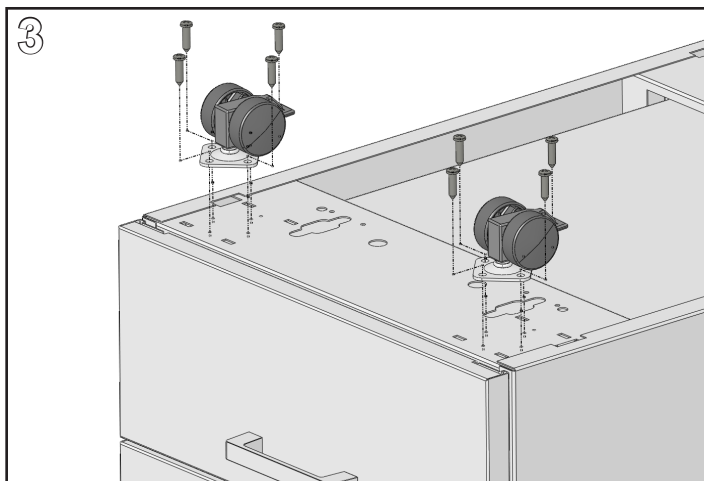
**Hardware Pack:** none



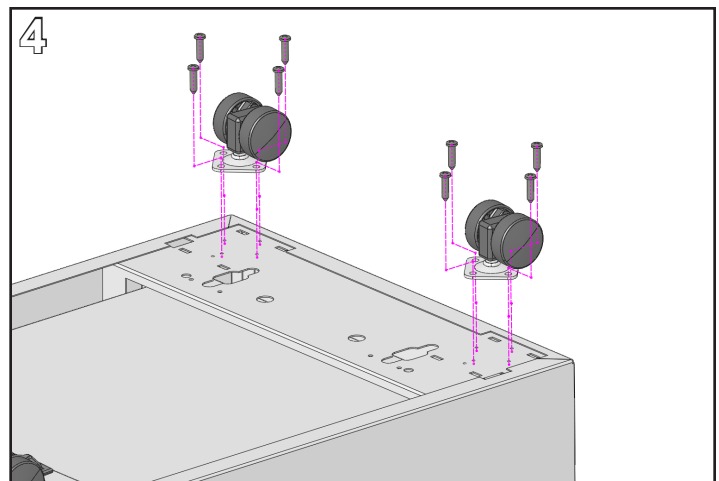
Locate the casters and attachment screws in one of the drawers of the pedestal. Lock or remove the drawers to ensure that they are not damaged during caster installation.



To avoid injury or damage to the unit use two people to flip the pedestal upside down or place it on its side to access the underside of the unit.



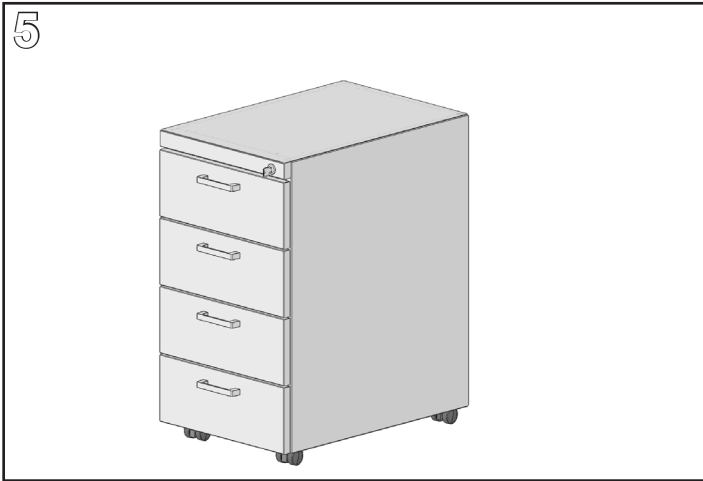
Align the locking swivel casters with the diagonal spaced holes at the front of the pedestal. Install (4) screws in the caster plate of each caster using a #2 Phillips Screwdriver.



Repeat step #3 with the non-locking swivel casters at the rear of the pedestal.

## Mobile Pedestals

5



Using two people, carefully return the pedestal to its upright position.