

Mobile Pedestals

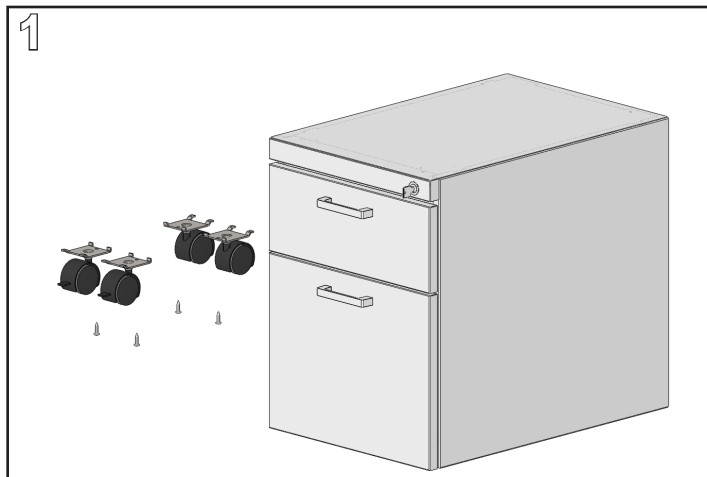
Product Numbers

- PMD612
- PMD666

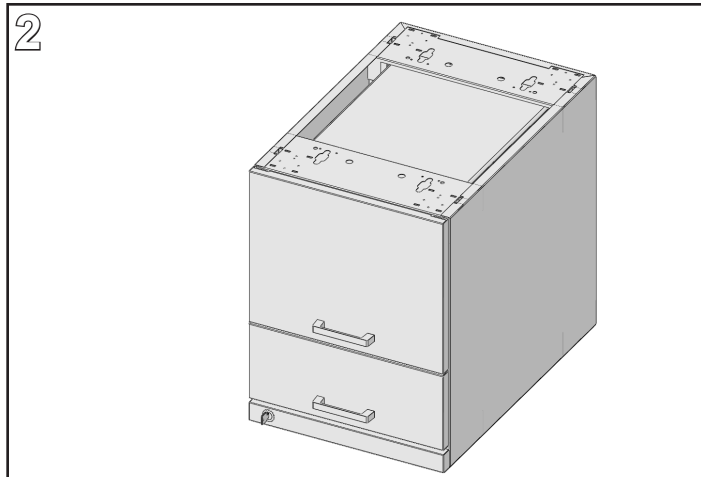
Required Tools

- #2 Phillips Screwdriver

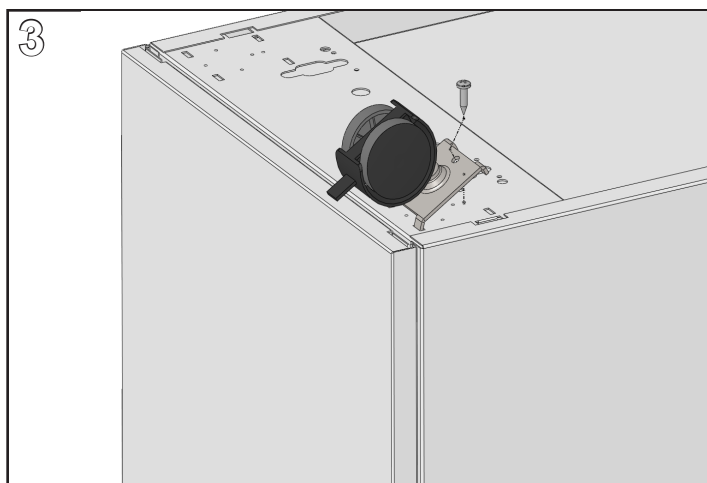
Hardware Pack: none



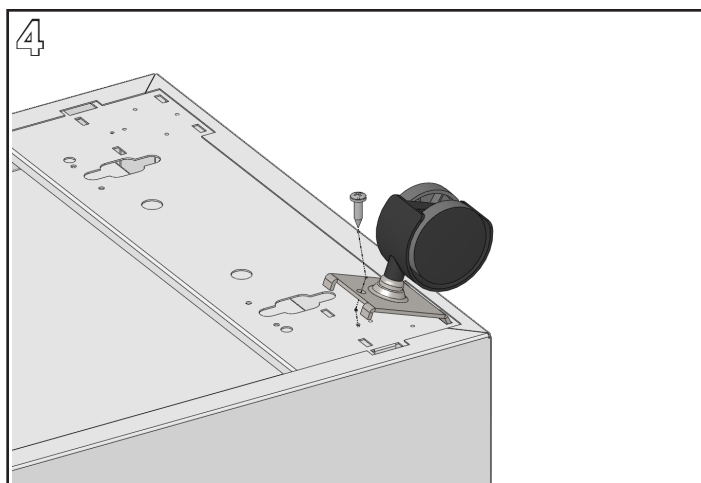
Locate the casters and attachment screws in one of the drawers of the pedestal. Lock or remove the drawers to ensure that they are not damaged during caster installation.



To avoid injury or damage to the unit use two people to flip the pedestal upside down or place it on its side to access the underside of the unit.



Attach two locking non-swivel casters to the front of the pedestal by inserting the offset tabs into the slots closest to the front edge of the pedestal and rotating until the straight tabs engage in the other slots. Rotate the caster lock if necessary to access the caster plate screw hole. Fasten caster plate to the pedestal bottom by installing a screw in each caster plate using a #2 Phillips Screwdriver.

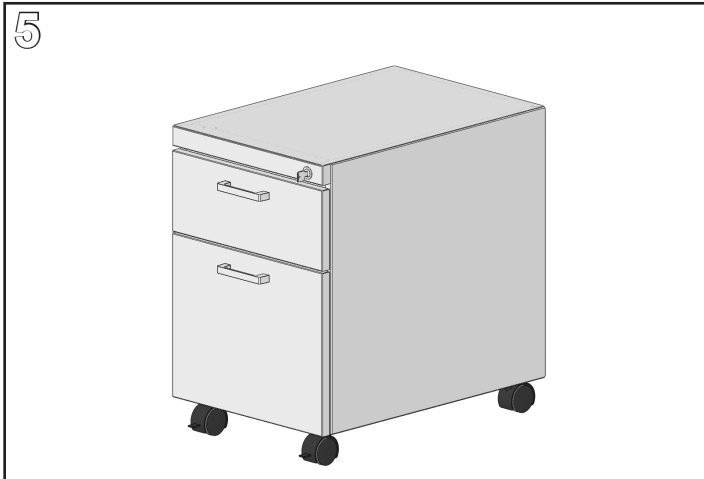


Repeat step #3 with the non-locking swivel casters at the rear of the pedestal.

SYMBIOTE[®] Technical Furniture

www.symbiote.com 300 N. Centennial Street Zeeland, MI 49464 ph: (616) 772-1790 fx: (616) 772-1797

Hanging Pedestals



Using two people, carefully return the pedestal to its upright position.