

## Wall Case

### Product Numbers

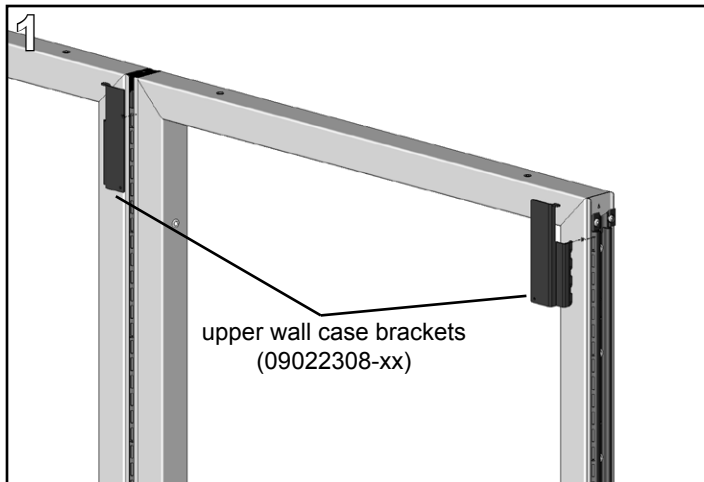
- LUCWxyy

### Required Tools

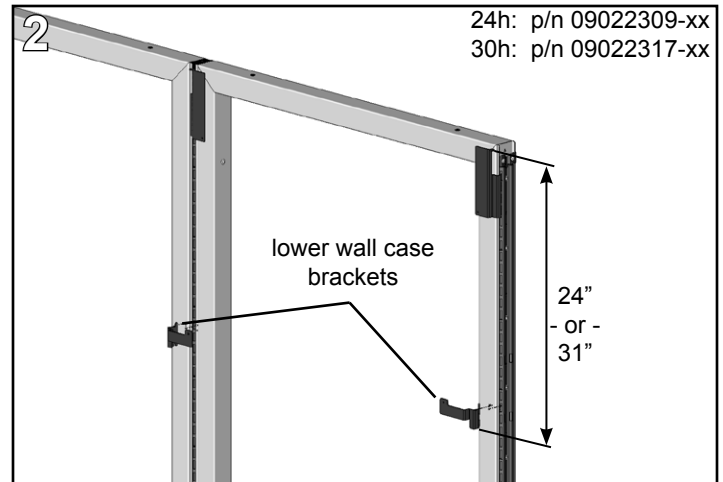
- #2 Phillips Screwdriver
- Tape Measure

**Hardware Pack:** LUCW24HP (09041401-01) or LUCW30HP (09041401-02)

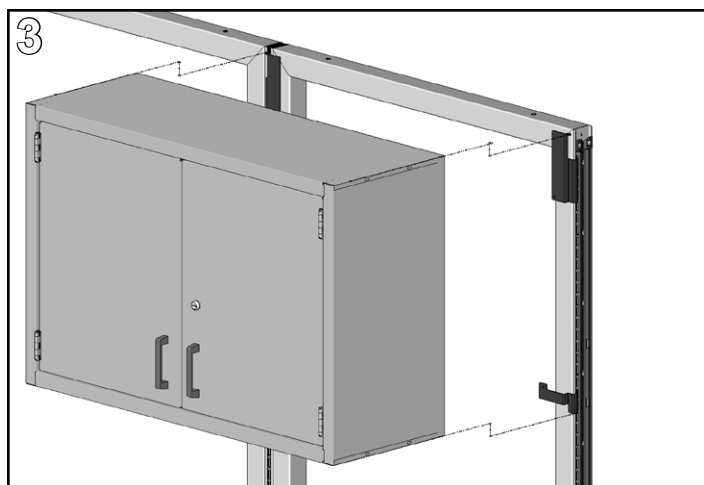
## Frame or Wall Strip Mounting Instructions



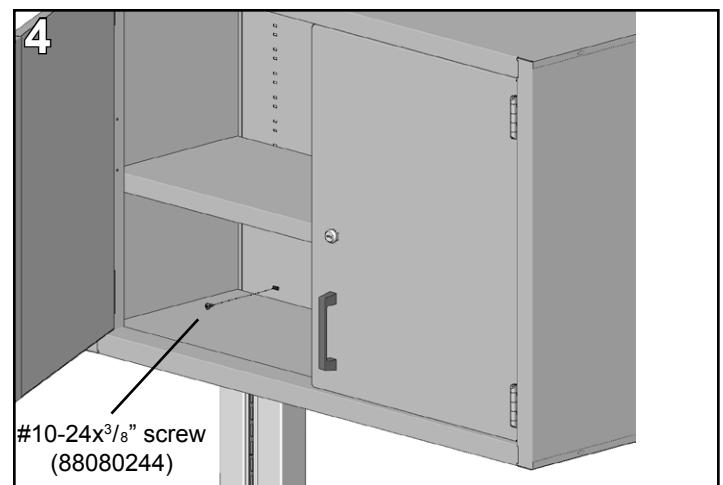
Install an upper wall case support bracket in the left and right sides of the frame/wall strip at the same height. The top of the wall case will rest on the top of these brackets.



Install the lower wall case brackets in the left and right sides of the frame/wall strip 24" below the upper brackets for a 24h wall case, or 31" below for a 30h wall case, measured as shown.



Raise the wall case above the upper brackets, hooking the flange on the back of the wall case over the top of the bracket. Rotate the bottom of the wall case towards the frame so that it rests against the lower brackets.



Open the wall case doors. In the left and right lower corners, a horizontal slot lines up with the tapped hole in each lower wall case bracket. Install a #10-24x<sup>3</sup>/<sub>8</sub>" panhead Phillips screw in each tapped hole and tighten securely with a #2 Phillips screwdriver.

**SYMBIOTE®** Technical Furniture

## Wall Case

### *Wall Mounting Instructions*

The desired mounting height for wall case units may vary with each installation. To match floor case units, the top of the wall case should be 84 inches above the floor.

Each wall case unit is equipped with a wall mounting bracket as a separate piece. On the back of each wall case unit, there is an upper, rear, horizontal mounting flange formed to accept this wall mounting bracket.

To install a wall case unit:

1. The wall mounting bracket should be secured to the wall system (hardware not provided by Symbiote) through the mounting holes at the proper height (one-eighth inch lower than finished height).
2. After the wall mounting bracket is securely in place, raise the wall case unit slightly above it and “flush” against the wall. Slide the wall case unit gently down over the offset of the wall mounting bracket so that the wall case mounting flange is captured by the wall bracket offset against the wall (Illustration 1).
3. Screw or bolt the wall case unit (through the cabinet body) into the wall system as required to ensure stability (hardware not provided by Symbiote). The wall mounting bracket is an alignment aid and support which must be supplemented with additional fasteners to prevent the unit from accidentally being raised off of the bracket.

Illustration 1

