

ErgoStat Riser Frame End Cover

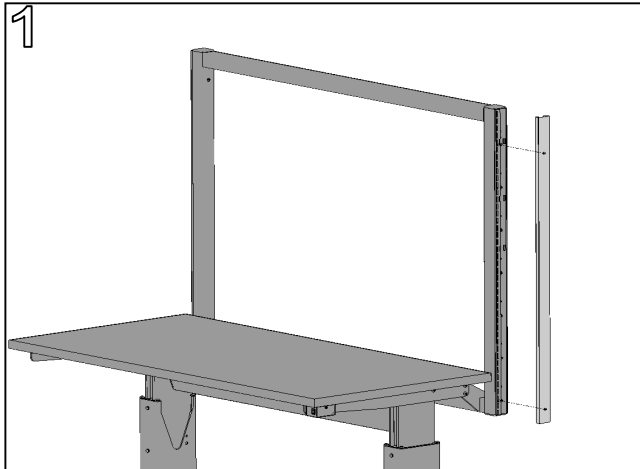
Product Numbers

- RFC43

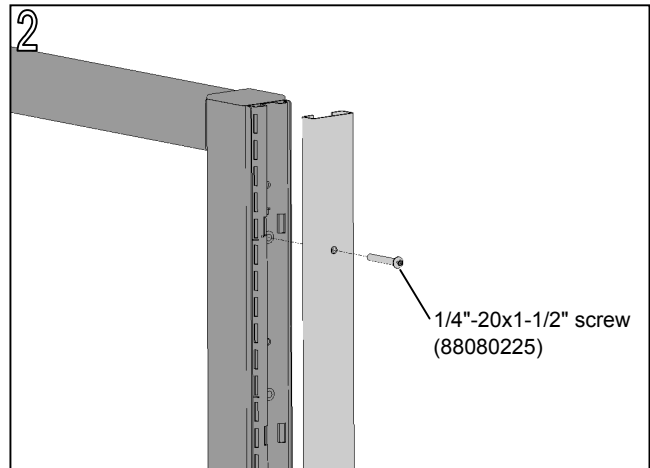
Required Tools

✖ 3/16" Allen Wrench or 3/16" Hex Bit with Driver

Hardware Pack: RFECHP (p/n 96031401)



Align holes in end cover with top and bottom threaded inserts in the end of the Riser Frame. Note that the cover is not symmetrical - the end of the cover with the hole closer to the edge is the bottom.



Insert 1/4-20x1-1/2" button head screw through top end cover hole and tighten with **3/16" Allen wrench/hex bit**. Repeat at bottom end cover hole location.