

## ErgoStat Riser Frame

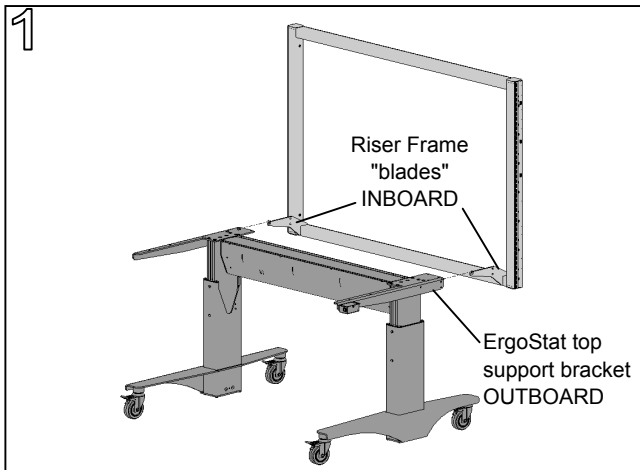
### Product Numbers

- RF4336
- RF4348
- RF4360
- RF4372

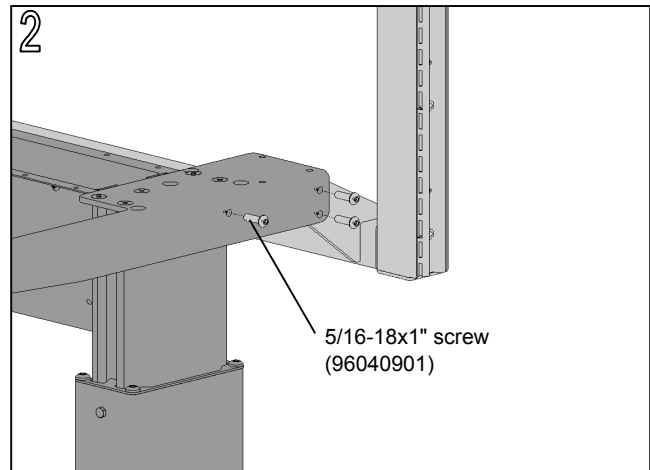
### Required Tools

- ✖ 3/16" Allen Wrench
- ✖ 5/8" Open-End Wrench

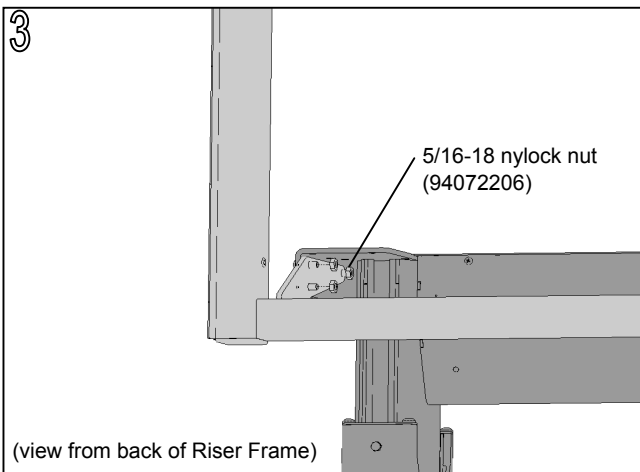
**Hardware Pack:** RFHP (p/n 94072715)



Center Riser Frame horizontally with ErgoStat base. Insert Riser Frame blades between the left- and right-hand top support brackets of the ErgoStat base.



Align holes in blade with holes in side of top support bracket and insert (3) 5/16-18x1" button head screws in holes.



Thread (3) 5/16-18 nylock nuts onto the back of the screws and tighten with a **3/16" Allen wrench** on the tops support bracket side and a **5/8" open-end wrench** on the Riser Frame blade side. Repeat steps 2 and 3 on the opposite side of the Riser Frame.