

Positionable Height Adjustable Bases

Product Numbers

- ESPCxx, ESPGxx
- TBPCxxxx, TBPGxxxx
- WTPCxxxx, WTPGxxxx

Required Tools

- ✖ 1/2" Wrench
- ✖ #2 Philips Screwdriver

Hardware Pack: ESTBHP (p/n 93082503)

Please Note:

- This product is shipped fully assembled and has no user serviceable parts. Servicing is to be performed by an authorized service representative only.
- Maximum static load is 750 lbs. evenly distributed.

Installation

1. Place base in desired location. For glide bases, level the base by adjusting the four glides on the bottom of the feet (figure 1). For caster bases, apply the caster locks when base is in use (figure 2).

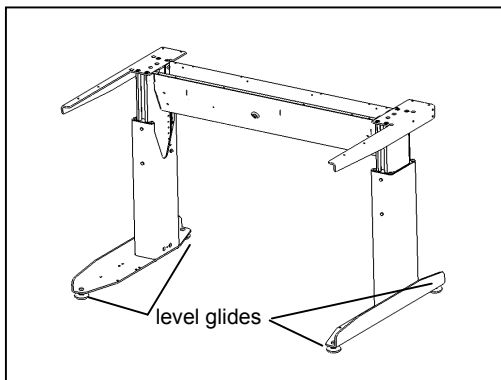


Figure 1. Glide Base.

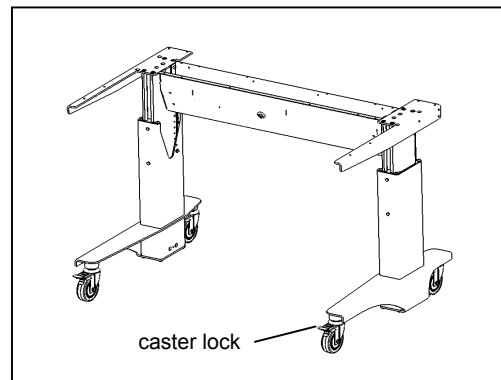


Figure 2. Caster Base.

2. To adjust height, place **screwdriver** through hole in outer leg above installed hex head cap screw. Remove 5/16-18x3/4" hex head cap screw using **1/2" wrench** (figure 3).

3. While supporting the weight of the top of the base, remove **screwdriver** and adjust leg up or down in 1" increments to desired position. Reinsert **screwdriver** through top hole, aligning position with hole in inner leg. Reinsert hex head cap screw into lower slotted hole and tighten with **1/2" wrench**. Remove **screwdriver** and repeat on opposite leg.

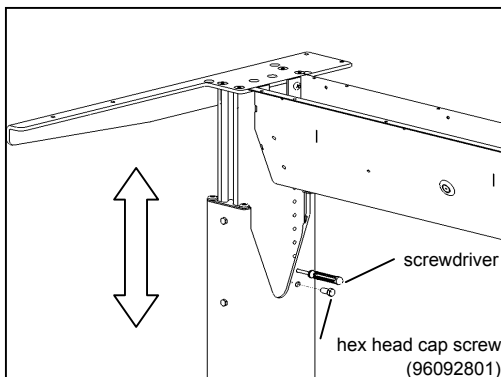


Figure 3. Height Adjustment.