

Document Holders

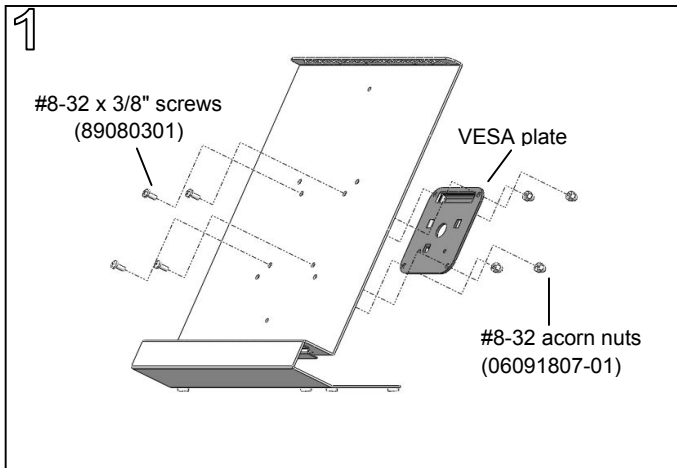
Product Numbers

- DH11
- DH18
- DHRH11
- DHRV18

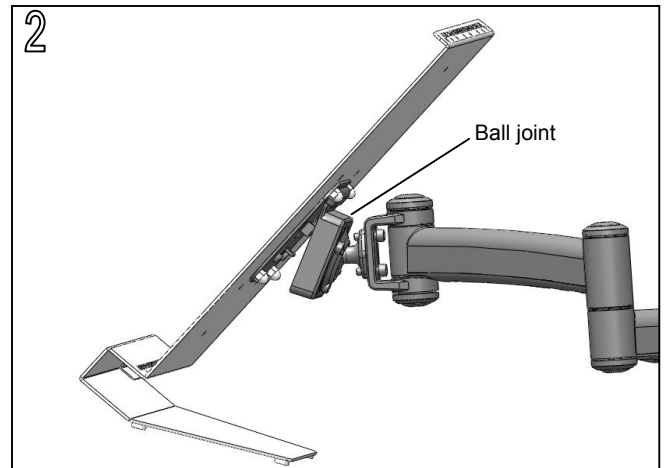
Required Tools

- ✂ #2 Phillips Screwdriver
- ✂ 5/16" Open End Wrench
- ✂ 4mm Allen Wrench

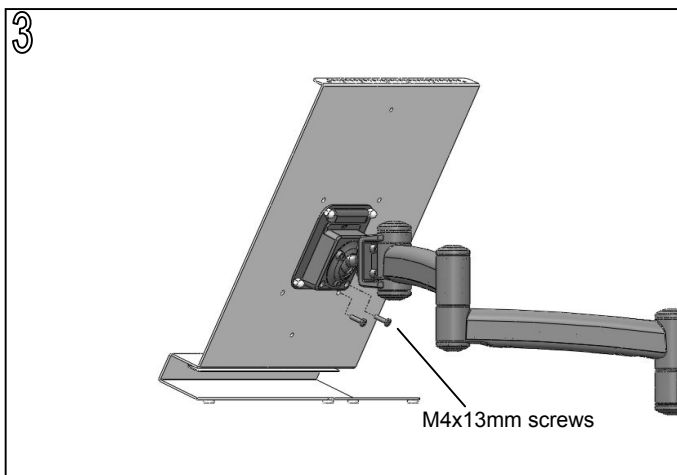
Hardware Pack: DHHP (08062701-01)



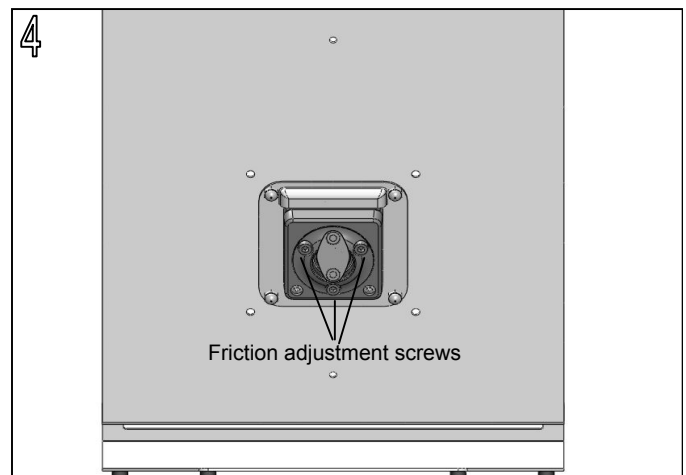
Install 75mm or 100mm VESA plate (from flat screen arm) to document holder using screws and acorn nuts provided. Tighten using a **5/16" open end wrench** and **#2 Phillips screwdriver**.



Mount VESA plate/document holder assembly to arm by sliding the large emboss on the VESA plate over the top flange of ball joint.



Secure VESA plate to ball joint by inserting (2) M4x13mm screws through ball joint into tapped holes in VESA plate. Tighten screws with **#2 Phillips screwdriver**.



Friction on the ball joint can be modified by adjusting the (3) pre-installed socket head cap screws using a **4mm Allen wrench**.

SYMBIOTE® Technical Furniture

www.symbiote.com 300 N. Centennial Street Zeeland, MI 49464 ph:(616)772-1790 fx:(616)772-1797