

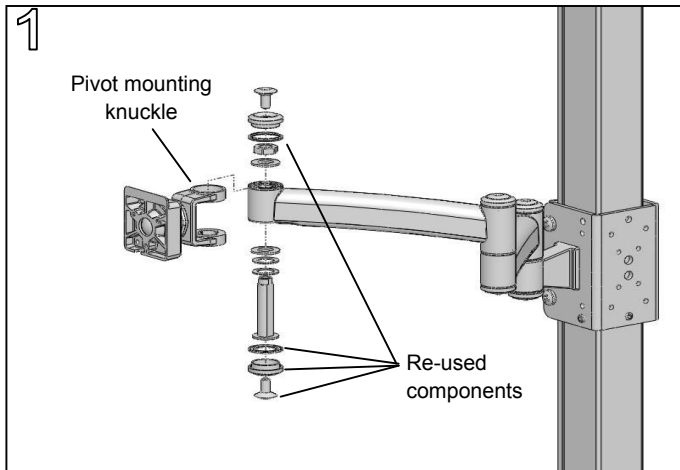
Accessory Tray

Product Numbers

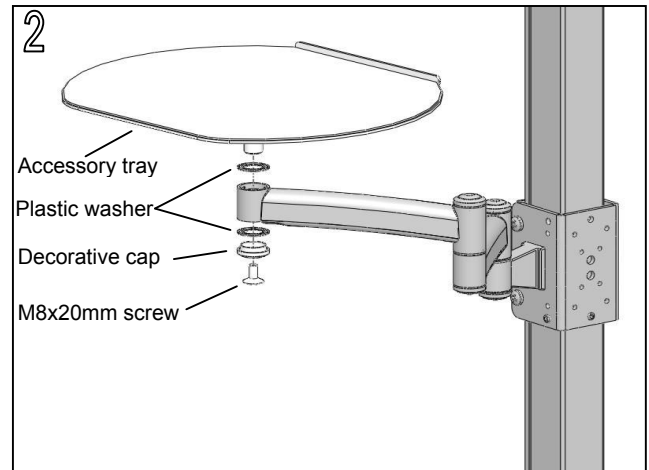
- ATBK

Required Tools

- ✂ 1/4" Allen Wrench
- ✂ Ratchet with 3/4" Socket



Disassemble pivot mounting knuckle from arm using required tools. Be sure to keep all components as some will be reused.



Place (1) plastic washer from step 1 on to the stem of accessory tray. Then place stem into hole in flat screen arm. After tray is placed slide the second plastic washer over stem followed by the decorative cap and screw. Tighten screw using **1/4" Allen wrench**.

SYMBIOTE® Technical Furniture

www.symbiote.com 300 N. Centennial Street Zeeland, MI 49464 ph:(616)772-1790 fx:(616)772-1797