

Magnetic White Board, Frame-Mount

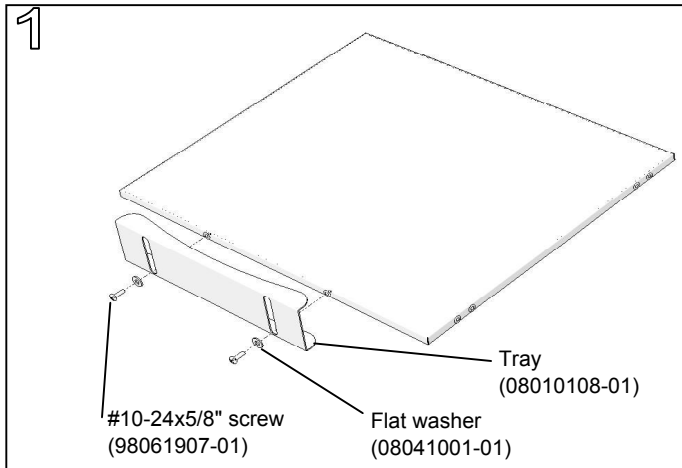
Product Numbers

- MBD2424
- MBD2430
- MBD2436
- MBD2448
- MBD2460

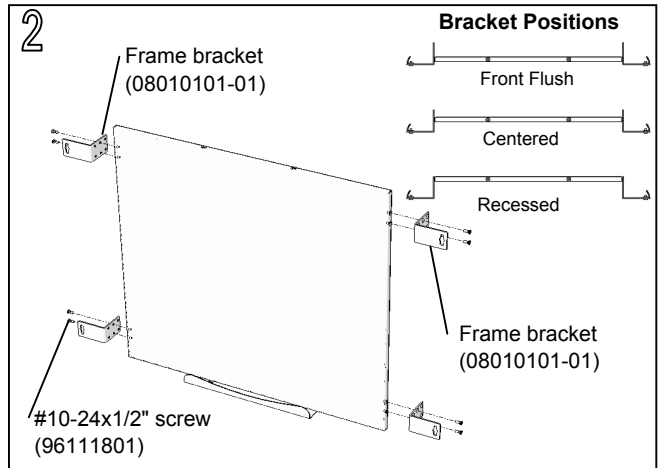
Required Tools

- ✂ #2 Phillips Screwdriver
- ✂ Tape Measure

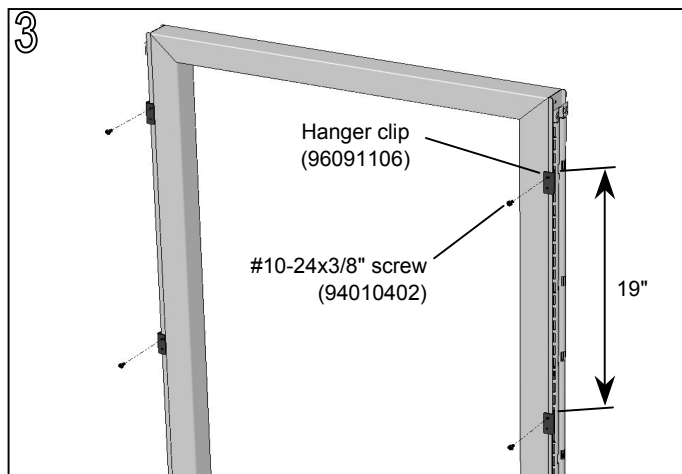
Hardware Pack: MBDHP (08010110-01)



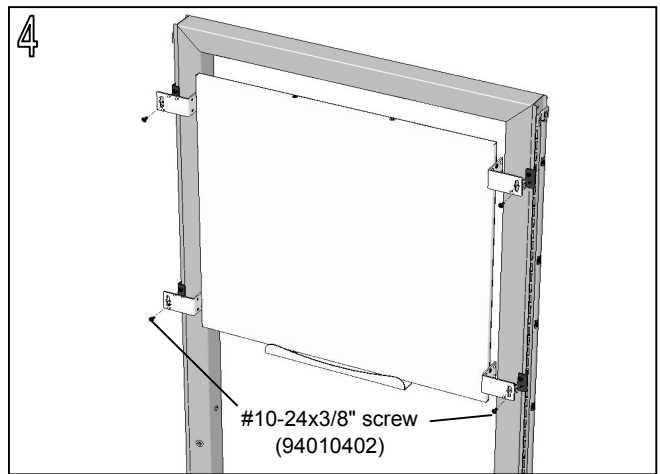
Attach tray to bottom threaded inserts with (2) flat washers and (2) #10-24x5/8" panhead screw using a **#2 Phillips screwdriver**. Adjust position forward or backward to desired location before fully tightening screws.



Attach brackets to side threaded inserts with (2) #10-24x1/2" flathead screws per bracket using a **#2 Phillips screwdriver**. White board can be mounted flush with the front of the frame, centered, or recessed in the frame. Centered mounting is shown.



Insert (2) hanger clips 19" apart on each side of the Ultra Frame at the same heights. Install one #10-24x3/8" panhead screw into the top hole of each hanger clip using a **#2 Phillips screwdriver**, leaving an 1/8" gap between head of screw and clip face.



Align screw heads in hanger clip with round center hole in each bracket and slide board down so top of keyslots rest on top screws. Install one #10-24x3/8" panhead screw into bottom hole on each hanger clip. Tighten all screws.

SYMBIOTE® Technical Furniture

www.symbiote.com 300 N. Centennial Street Zeeland, MI 49464 ph:(616)772-1790 fx:(616)772-1797