

Lower Shelf, WorkTable

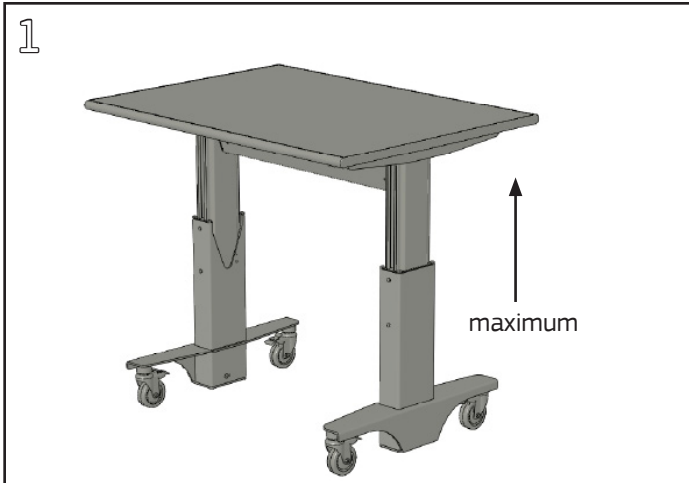
Product Numbers

- LWSxx

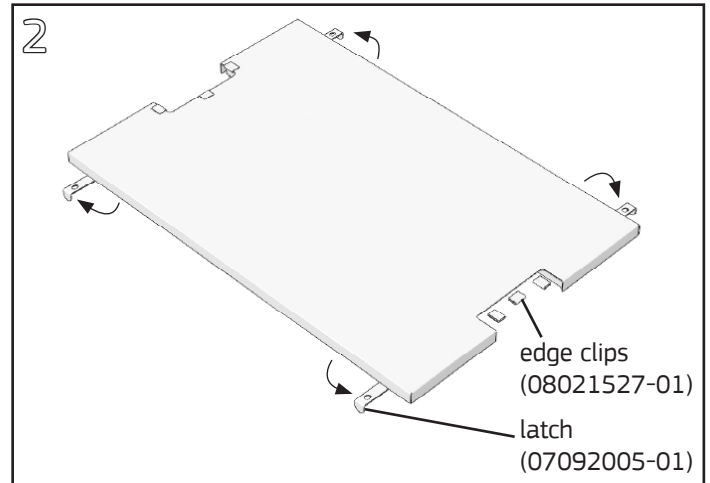
Required Tools

- none

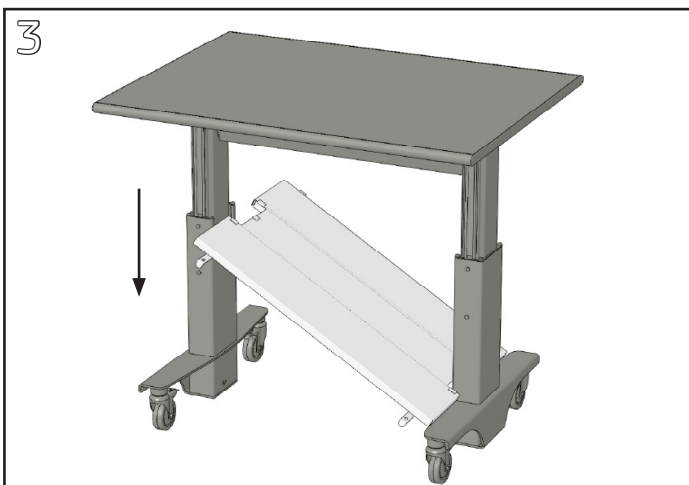
Hardware Pack: [hardware pack FGM] (p/n [hardware pack numeric])



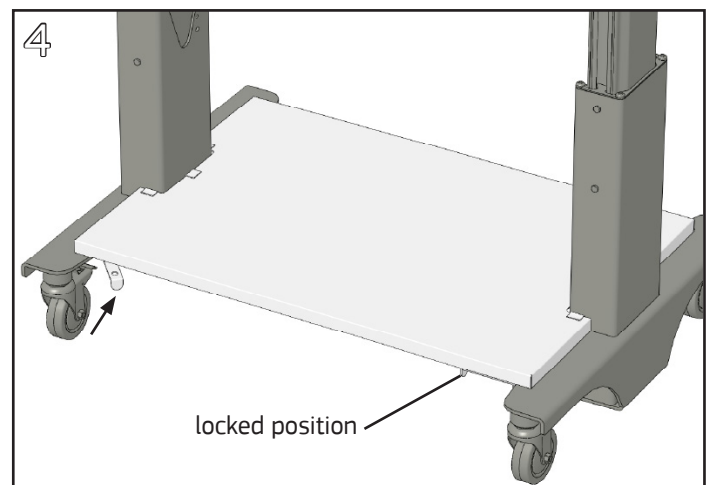
Set base at maximum height.



Install six (6) edge clips in notched area of shelf, three per side. Rotate latches outward by depressing button on underside of shelf and rotating outward to position shown.



Hold shelf at an angle and insert between table legs, centering notch on each side of shelf around leg. Rotate shelf down to flat position.



Rotate latches on underside of shelf inward to lock shelf to the base.