

Flat Screen Arm, End-Mount

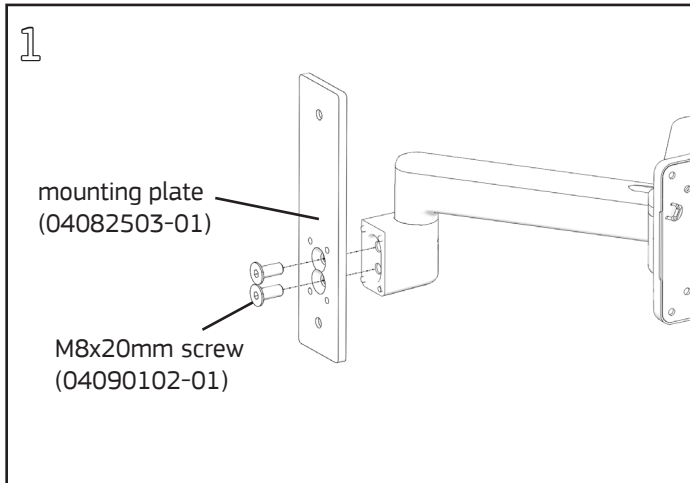
Product Numbers

- FSE1DMBK
- FSE1SMBK

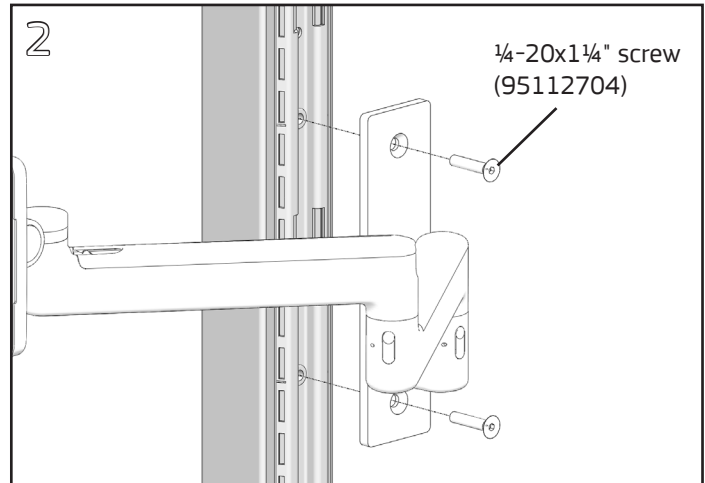
Hardware Pack: FSEHP (p/n 04111205-01)

Required Tools

- $\frac{5}{32}$ " Allen Wrench
- Hex Key Kit included with arm
- #2 Phillips Screwdriver



Fasten the arm to the mounting plate with (2) M8x20mm flathead socket drive screws using a 5mm Allen wrench.



Align the countersunk holes in the mounting plate with threaded inserts in the end of the UltraFrame. Fasten with (2) $\frac{1}{4}$ -20x1 $\frac{1}{4}$ " flathead socket driver screws using a $\frac{5}{32}$ " Allen wrench.

NOTE: Reference additional instructions included in box containing the flat screen arm for monitor mounting and arm rotation options.