

CABLE MANAGEMENT SUPPORT POST

Note: The Cable Management Support Post does not include anchors or fasteners for securing the posts to the floor. The holes in the bottom plate of the support post are countersunk for a 1/2" diameter fastener.

1. The holes in the bottom plate of the Cable Management Support Post are spaced 10" apart. Use this dimension or the actual plate as a template for marking the four required anchor locations. Install the anchors into the floor. (Figure 1)

2. Align the holes in the plate of the lower post with the anchors and secure tightly with the customer-supplied fasteners. The lower post and plate are universal. There is no orientation that must be determined.

3. Center the upper post over the bottom post and slide it over the tube with the upper "T" tube oriented in the required direction.

4. For an 80" high Cable Management Support Post, align the lowest hole in the lower post with the lowest hole in the upper post. The upper post can be rotated 90 degrees if a different upper post orientation is required. Insert two 1/4-20x1/2" Phillips screws through the holes in the upper post and the threads in the lower post on the front and the back of the post. Tighten loosely. Repeat at the second set of holes which will be 16" above the lower holes. When installed, the top of the upper post will align with the top of an 80" high Ultra Frame. (Figure 2)

5. For a 96" high Support Post, align the lowest hole in the upper post with the second threaded hole from the top of the lower post. The upper post can be rotated 90 degrees if a different upper post orientation is required. Insert two 1/4-20x1/2" Phillips screws through the holes in the upper post and the threads in the lower post on the front and the back of the post. Tighten loosely. Repeat at the second set of holes which will be 12.5" above the lower holes. When installed, the top of the upper post will align with the top of a 96" high Ultra Frame. (Figure 3)

6. Tighten all four screws securely.

Cable Management Support Post Hardware Pack – CMSPHP (#01091407-01)

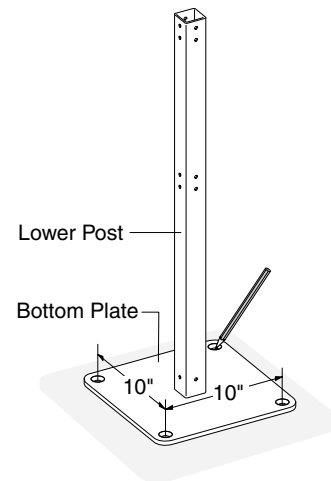


Figure 1

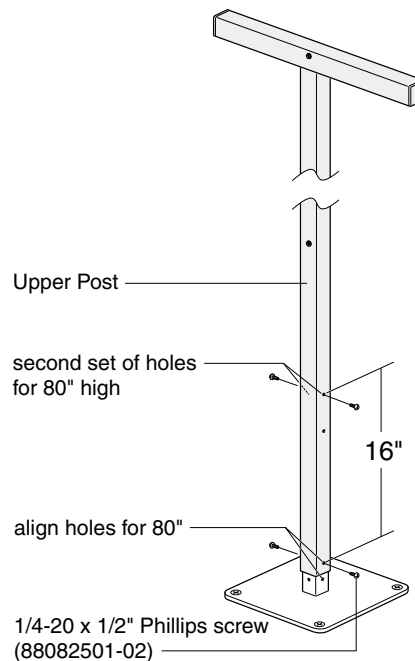


Figure 2

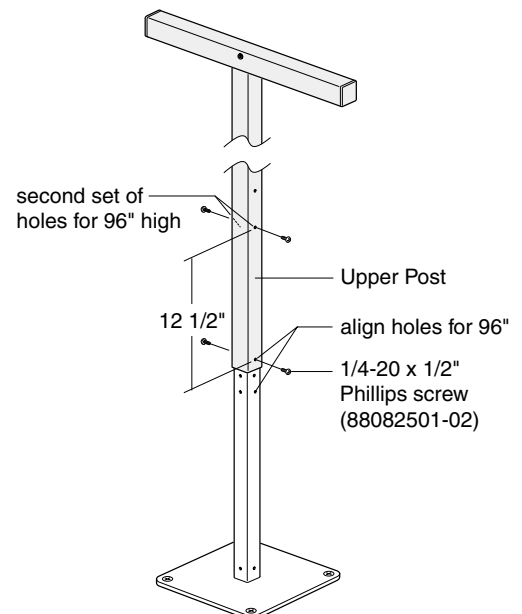


Figure 3