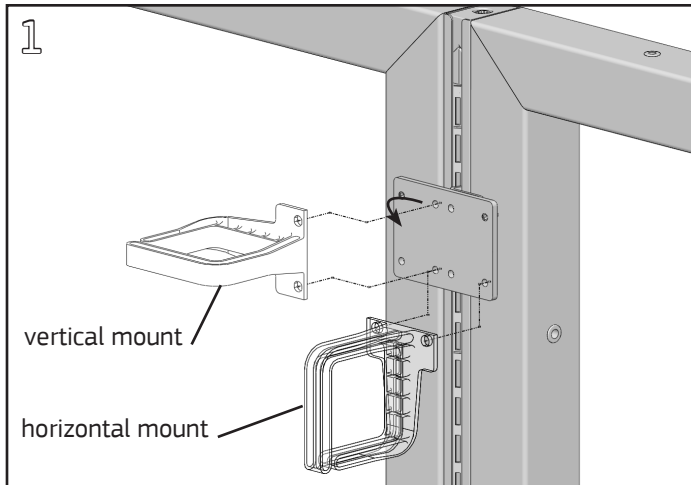


D-Rings

Product Numbers

- UCD1
- UCD2

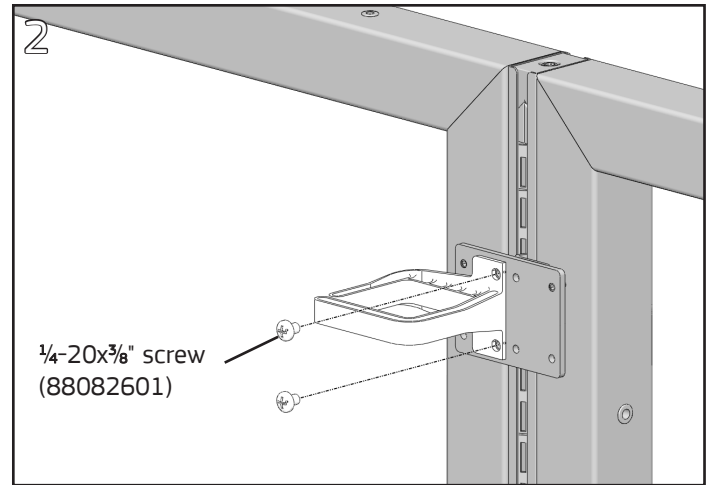
Hardware Pack: UCDHP (p/n 01032507-01)



1
Orient the D-Ring vertically or horizontally, aligning the holes in the ring with two tapped holes in the Uniclip.

Required Tools

- #2 Phillips Screwdriver



2
Fasten the ring to the clip with (2) 1/4-20x3/8" Phillips pan head screws using a #2 Phillips screwdriver.