

UNICLIP AND D-RING

1. Install Uniclip into hanger frame at frame joint at desired height. Make sure clip is securely seated in frame (Figure 1).

2. Install each of the two 1/4-20x3/8" set screws provided into a tapped hole on either side of the clip. The set screws can be installed in either the upper or lower set of holes in the outside corners of the Uniclip, depending on the desired location of the D-ring or other component to be mounted on the clip. Tighten set screws until clip is parallel to Ultra Frame joint. (Figure 1).

3. Align the holes in the D-ring or other component with two of the tapped holes in the Uniclip that are either vertically or horizontally spaced at 1.75" apart. Insert two 1/4-20x3/8" Phillips pan head screws through the holes in the component and into the tapped holes of the clip. Tighten screws securely (Figure 2).

Note: When mounting Uniclip at a frame to 90° Corner Connector joint, in the tapped holes on either side of the clip, install one 1/4-20 x 3/8" set screw against the Ultra Frame and one 1/4-20 x 5/8" set screw against the Corner Connector. Tighten set screws until clip is parallel to joint.

Uniclip Hardware Pack - UCPHP (#01032507-02)

D-ring Hardware Pack – UCDHP (#01032507-01)

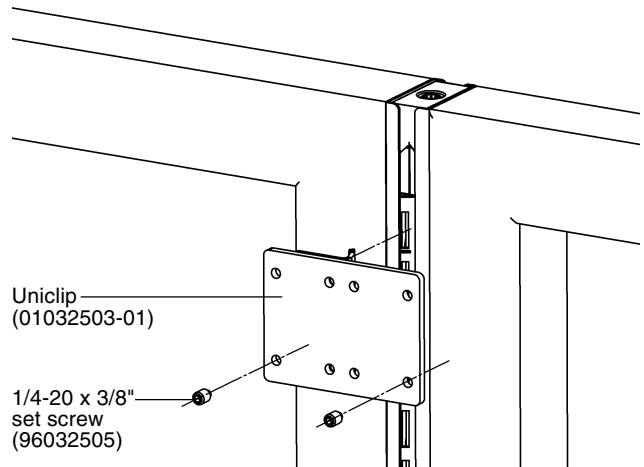


Figure 1

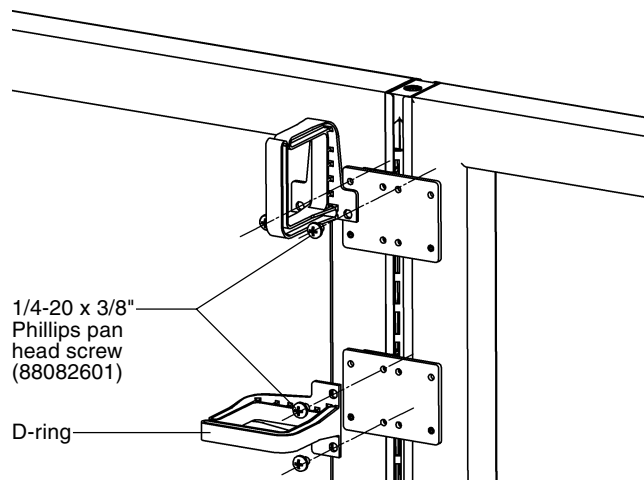


Figure 2