

UTILITY MOUNTING BRACKET

For Vertical Installation of Mounted Components

1. Install clip end of one bracket into hanger frame at frame joint. Install second bracket in adjacent hanger frame. Make sure brackets are securely seated in frame. (Figure 1)

2. Install two #10-24x5/8" set screws into the tapped holes on each bracket. Tighten until plates are flush. (Figure 1)

3. Install an additional pair of brackets below the first pair. The distance from the top of the top brackets to the top of the bottom brackets needs to be 4" less than the nominal size of the component to be hung. (Figure 2)

4. Mount component using self-drilling screws with a #2 drill point (not provided). Screw length must not be longer than 3/4".

For Horizontal Installation of Mounted Components

1. At required mounting height, install the brackets on the left and right sides of the frame. Make sure brackets are securely seated in frame. (Figure 2)

2. Install two #10-24x5/8" set screws into the tapped holes on each bracket. Tighten until plate is parallel with the front of the frame. (Figure 2)

3. Mount component using self-drilling screws with a #2 drill point (not provided). Screw length must not be longer than 3/4".

Utility Mounting Bracket Hardware Pack – UMBHP (#00050305)

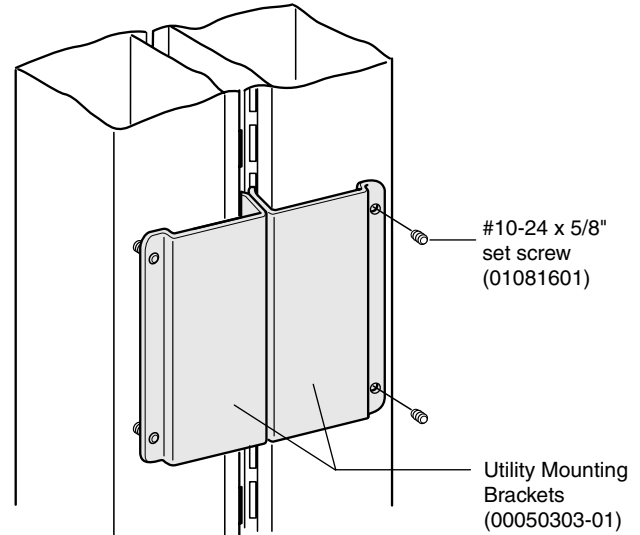


Figure 1

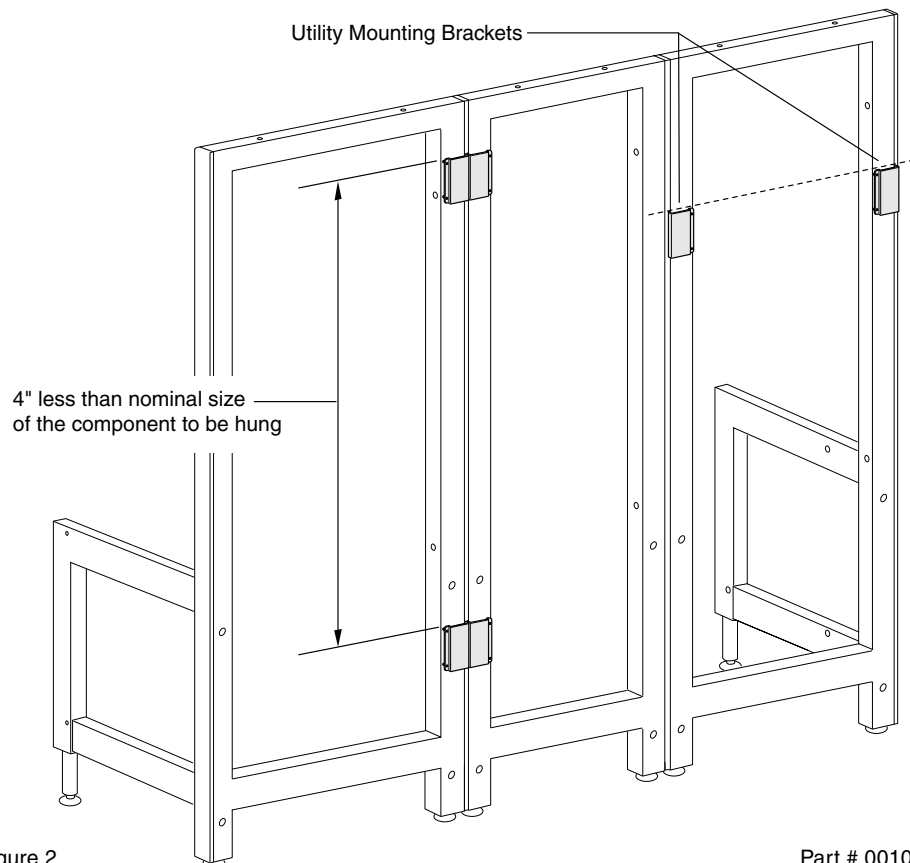


Figure 2

Part # 00100201 Rev A 1 of 1